

V I S I O N 85
M O D E L



1080p DLP™ PROJECTORS

Vision 85

Vision 85/CineWide™

TWO YEAR LIMITED WARRANTY

For Projectors, Video Processors and Controllers

Congratulations on your purchase of a Vidikron video product and welcome to the Vidikron family! With proper installation, setup and care, you should enjoy many years of unparalleled video performance.

This is a LIMITED WARRANTY as defined in the Magnuson-Moss Warranty Act. Please read it carefully and retain it with your other important documents.

WHAT IS COVERED UNDER THE TERMS OF THIS LIMITED WARRANTY:

SERVICE LABOR: Vidikron will pay for service labor by Vidikron Authorized Service Center when needed as a result of manufacturing defect for a period of two (2) years from the effective date of delivery to the end user (excluding the lamp).

PARTS (not including the lamp): Vidikron will provide new or rebuilt replacement parts for the parts that fail due to defects in materials or workmanship for a period of two (2) years from the effective date of delivery to the end user. Such replacement parts are then subsequently warranted for the remaining portion (if any) of the original warranty period.

PROJECTOR LAMP: Vidikron will pay for service labor by a Vidikron Authorized Service Center when needed as a result of a manufacturing defect for a period of six (6) months or 1000 hours, whichever comes first, from the effective date of delivery to the end user. In addition, Vidikron will provide a new or rebuilt replacement lamp for the lamp that fails due to defects in materials or workmanship for a period of six (6) months or 1000 hours, whichever comes first, from the effective date of delivery to the end user. Such replacement lamps are then subsequently warranted for the remaining portion (if any) of the original warranty period.

WHAT IS NOT COVERED UNDER THE TERMS OF THIS LIMITED WARRANTY:

This Limited Warranty only covers failure due to defects in materials and workmanship that occur during normal use and does not cover normal maintenance. This Limited Warranty does not cover cabinets or any appearance items; failure resulting from accident, misuse, abuse, neglect, mishandling, misapplication, faulty or improper installation or setup adjustments; improper maintenance, alteration, improper use of any input signal; damage due to lightning or power line surges, spikes and brownouts; damage that occurs during shipping or transit; or damage that is attributed to acts of God. In the case of remote control units, damage resulting from leaking, old, damaged or improper batteries is also excluded from coverage under this Limited Warranty.

CAUTION: THIS LIMITED WARRANTY ONLY COVERS VIDIKRON PRODUCTS PURCHASED FROM VIDIKRON AUTHORIZED DEALERS. ALL OTHER PRODUCTS ARE SPECIFICALLY EXCLUDED FROM COVERAGE UNDER THIS WARRANTY. MOREOVER, DAMAGE RESULTING DIRECTLY OR INDIRECTLY FROM IMPROPER INSTALLATION OR SETUP IS SPECIFICALLY EXCLUDED FROM COVERAGE UNDER THIS LIMITED WARRANTY. IT IS IMPERATIVE THAT INSTALLATION AND SETUP WORK BE PERFORMED ONLY BY AN AUTHORIZED VIDIKRON DEALER TO PROTECT YOUR RIGHTS UNDER THIS WARRANTY. THIS WILL ALSO ENSURE THAT YOU ENJOY THE FINE PERFORMANCE OF WHICH YOUR VIDIKRON PRODUCT IS CAPABLE WHEN INSTALLED AND CALIBRATED BY VIDIKRON AUTHORIZED PERSONNEL.

RIGHTS, LIMITS AND EXCLUSIONS:

Vidikron limits its obligations under any implied warranties under state laws to a period not to exceed the warranty period. There are no express warranties. Vidikron also excludes any obligation on its part for incidental or consequential damages related to the failure of this product to function properly. Some states do not allow limitations on how long an implied warranty lasts, and some states do not allow the exclusion or limitation of incidental or consequential damages. So the above limitations or exclusions may not apply to you. This warranty gives you specific legal rights, and you may also have other rights that vary from state to state.

EFFECTIVE WARRANTY DATE:

This warranty begins on the effective date of delivery to the end user. For your convenience, keep the original bill of sale as evidence of the purchase date.

IMPORTANT -- WARRANTY REGISTRATION:

Please fill out and mail your warranty registration card. It is imperative that Vidikron knows how to reach you promptly if we should discover a safety problem or product update for which you must be notified.

CONTACT A VIDIKRON AUTHORIZED SERVICE CENTER TO OBTAIN SERVICE:

Repairs made under the terms of this Limited Warranty covering your Vidikron video product will be performed at the location of the product, during usual working hours, providing location of product is within normal operating distance from a Vidikron Authorized Service Center. In some instances it may be necessary for the product to be returned to the Vidikron factory for repairs. If, solely in Vidikron's judgment, location of product to be repaired is beyond normal operating distance of the closest Vidikron Authorized Service Center, or the repair requires the unit be returned to the Vidikron factory, it is the owner's responsibility to arrange for shipment of the product for repair. These arrangements must be made through the selling Vidikron Dealer. If this is not possible, contact Vidikron directly for a Return Authorization number and shipping instructions. Vidikron will return product transportation prepaid in the United States, unless no product defect is discovered. In that instance, shipping costs will be the responsibility of the owner.

COPYRIGHT AND TRADEMARKS:

© Copyright 2007 Vidikron, a Runco International Company. This document contains proprietary information protected by copyright, trademark and other intellectual property laws. All rights are reserved. No part of this manual may be reproduced by any mechanical, electronic or other means, in any form, without prior written permission of the manufacturer.

Vidikron, Vision, DVSI, Imagix, CineWide, AutoScope, V² Aperture Control, CSMS and IntelliWide are trademarks of Runco, LLC. All other trademarks and registered trademarks used in this document are the property of their respective owners.

Vidikron products are manufactured under one or more of the following patents: US. Patent 6755540 and Other Patents Pending.

ADDITIONAL INFORMATION:

To locate the name and address of the nearest Vidikron Authorized Service Center, or for additional information about this Limited Warranty, please call or write:

VIDIKRON
Attn: Customer Service Department
2900 Faber Street
Union City, CA 94587
Ph: (510) 324-5900
Fax: (510) 324-5905
Toll Free: (888) 4VIDIKRON

VIDIKRON PRODUCT INFORMATION
RETAIN THIS INFORMATION FOR YOUR RECORDS

Model Purchased

Date

Serial Number

Vidikron Authorized Dealer Name

Address

City

State/Province

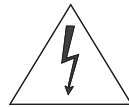
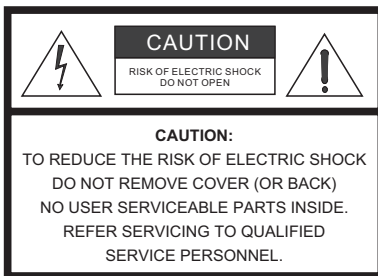
Postal Code

Phone

Fax

Safety Precautions

Thank you for your purchase of this quality Vidikron video projector! It has been designed to provide you with the quality of video that is expected in a home theater. For the best performance, please read this manual carefully as it is your guide through the menus and operation.



WARNING

This symbol is intended to alert the user to the presence of uninsulated “dangerous voltage” within the product’s enclosure that may be of sufficient magnitude to constitute a risk of electric shock.



This symbol is intended to alert the user to the presence of important operating and maintenance (servicing) instructions in the literature accompanying the appliance.

This equipment has been tested and found to comply with the limits for a Class B digital device, pursuant to Part 15 of the FCC Rules. These limits are designed to provide reasonable protection against harmful interference in a residential installation.

1. Read these instructions.
2. Keep these instructions.
3. Heed all warnings.
4. Do not use this equipment near water, outdoors or otherwise exposed to the elements.
5. Clean only with a dry cloth.
6. Do not block any ventilation openings.
7. Do not install near any heat sources such as radiators, heat registers, stoves, or other apparatus (including amplifiers) that produce heat.
8. Do not defeat the safety feature of the polarized or grounding type plug. A polarized type plug has two blades with one wider than the other. A grounding type plug has two blades and a third grounding prong. The third prong is provided for your safety. If the provided plug does not fit into your outlet, consult an electrician for the replacement of the obsolete outlet.
9. The 12V trigger only outputs DC 12V signal for triggering. Do not connect to any other power input or output. This could cause damage to this unit.
10. Only use accessories specified by Vidikron.
11. Keep the packing material in case the equipment should ever need to be shipped.
12. Unplug this projector during lightning storms or when it will not be used for an extended period of time.
13. The lamp becomes extremely hot during operation. Allow the projector to cool down for approximately 45 minutes prior to removing the lamp assembly for replacement. Do not operate lamps beyond the rated lamp life. Excessive operation of lamps beyond rated life could cause them to explode in rare occasions.
14. Refer all servicing to qualified service personnel. Servicing is required when the projector has been damaged in any way, objects have fallen or spilled into the projector, the projector has been exposed to rain or moisture, does not operate normally, or has been dropped.

Table of Contents

TWO YEAR LIMITED WARRANTY	iii
Safety Precautions	vi
1. Introduction	1
About This Manual	1
Target Audience.....	1
If You Have Comments About This Manual... ..	1
Textual and Graphic Conventions	1
Using This Manual	2
Description, Features and Benefits	3
Key Features and Benefits.....	4
Parts List	4
2. Controls and Functions	5
Vision 85 at a Glance	5
Vision 85 Rear Panel	7
VHD Controller Front Panel	8
VHD Controller Rear Panel	9
Outputs.....	9
Inputs	9
Vision 85 Remote Control Unit	11
Vision 85 Built-In Keypad	14
3. Installation	15
Remote Control	15
Battery Installation	15
Notes on Remote Control Operation.....	15
Quick Setup	17
Installation Considerations	18
Installation Type.....	18
Ambient Light	18
Throw Distance.....	19
Vertical and Horizontal Position.....	20
Vertical Lens Shift	20
Folded Optics	21
Other Considerations	21

Mounting the Vision 85	22
Floor Mounting (Upright)	22
Ceiling Mounting (Inverted)	22
Adjusting the Projection Angle	22
Connections to the Vision 85 and VHD Controller	23
Connector Panel Access	23
Connecting the Projector to the VHD Controller	23
Connecting Source Components to the VHD Controller	24
Connecting a PC or Automation System to the VHD Controller	28
Connecting 12-Volt Trigger Outputs to External Equipment	28
Connecting an External IR Receiver to the VHD Controller	29
Connecting to AC Power	30
Turning on the Power	30
Adjusting the Picture Orientation	30
Primary Lens Adjustments	31
Focus and Zoom	31
Vertical Lens Shift	31
Installing and Adjusting the CineWide Anamorphic Lens	32
4. Operation	35
Using the On-Screen Menus	35
On-Screen Menus for 1080i (Analog) and Lower-Resolution Signals	35
Main Menu	37
Input Source	37
Aspect Ratio	37
Picture	39
Input Position	43
ISF Presets	44
Information	44
Calibration	45
Service	47

On-Screen Menus for 1080i (Digital) or 1080p Signals	51
Main Menu	52
Language	53
Picture Adjust	53
Picture Adjust (Advanced)	55
White Balance	56
HD/RGB Adj.	57
Options	57
5. Maintenance and Troubleshooting	61
Lamp Replacement	61
Troubleshooting Tips	62
6. Serial Communications	65
RS-232 Connection and Port Configuration	65
Serial Command Syntax	65
7. Specifications	71
Vision 85 Specifications	71
VHD Controller Specifications	73
Vision 85 Dimensions	74

Notes:

List of Figures

2-1. Vision 85 Front/Top/Side/Bottom/Rear View	5
2-2. Vision 85 Rear Panel	7
2-3. VHD Controller Front Panel	8
2-4. VHD Controller Rear Panel	9
2-5. VHD Controller/Vision 85 Remote Control	11
2-6. Vision 85 Built-In Keypad	14
3-1. Available Range of the Remote Control	15
3-2. Estimating Throw Distance	19
3-3. Projector Placement	20
3-4. Vertical Lens Shift (EXAMPLE ONLY)	20
3-5. Folded Optics	21
3-6. Connecting the Projector to the VHD Controller	23
3-7. HDMI Source Connections	24
3-8. Digital (DTV) RGB or Component Video Connections	25
3-9. Analog RGB Connections	26
3-10. Composite, S-Video and Component Video Connections	27
3-11. RS-232 Control System Connection	28
3-12. 12-volt Trigger Output Connections (from VHD Controller)	28
3-13. 12-volt Trigger Output Connection (from Projector)	29
3-14. External IR Receiver Connection	29
3-15. Vertical and Horizontal Lens Shift Adjustments	31
3-16. Vision 85 Anamorphic Lens Mounting Assembly - Exploded View	32
4-1. VHD Controller OSD Menu Structure for Vision 85 (1080i Analog and Lower-Resolution Sources)	36
4-2. Typical PLUGE Pattern for Adjusting Brightness	40
4-3. Typical Gray Bar Pattern for Adjusting Contrast	41
4-4. Typical Color Bar Pattern for Adjusting Color Saturation and Tint	41
4-5. Typical Test Pattern for Adjusting Sharpness	43
4-6. OSD Menu Structure for Vision 85 (1080i Digital or 1080p Sources)	51
4-7. Vision 85 Main Menu (1080i Digital or 1080p Sources Only)	52
7-1. Vision 85 Dimensions	74

Notes:

Introduction

This Owner's Manual describes how to install, set up and operate the Vidikron Vision 85 DLP Projector and VHD Controller.

Throughout this manual, the Vidikron Vision 85 DLP Projector and VHD Controller are referred to collectively as the "Vision 85."

Vidikron has prepared this manual to help home theater installers and end users get the most out of the Vision 85.

Vidikron has made every effort to ensure that this manual is accurate as of the date it was printed. However, because of ongoing product improvements and customer feedback, it may require updating from time to time. You can always find the latest version of this and other Vidikron product manuals on-line, at www.Vidikron.com.

Vidikron welcomes your comments about this manual. Send them to info@vidikron.com.

Text Conventions: The following conventions are used in this manual, in order to clarify the information and instructions provided:

- Remote and built-in keypad button identifiers are set in upper-case bold type; for example, "Press **EXIT** to return to the previous menu."
- Computer input (commands you type) and output (responses that appear on-screen) is shown in monospace (fixed-width) type; for example: "To change the aspect ratio to Letterbox, type LETTERBOX <Enter>."
- All keys with functional names are initial-capped, set in bold type and enclosed in angle brackets. These keys are the following: <Enter>, <Spacebar>, <Control>, <Esc> and <Tab>.
- <Enter> indicates that you may press either the RETURN or ENTER key on your keyboard if it has both keys.

In addition to these conventions, underlining, boldface and/or italics are occasionally used to highlight important information, as in this example:



Note

*A carriage return **must** be used after each command or string.*

1.1 About This Manual

◀ **Target Audience**

◀ **If You Have Comments About This Manual...**

◀ **Textual and Graphic Conventions**

Graphic Conventions: These symbols appear in numerous places throughout the manual, to emphasize points that you must keep in mind to avoid problems with your equipment or injury:



Tip

TIPS highlight time-saving short cuts and helpful guidelines for using certain features.



Note

NOTES emphasize text with unusual importance or special significance. They also provide supplemental information.



Caution

CAUTIONS alert users that a given action or omitted action can degrade performance or cause a malfunction.



WARNING

WARNINGS appear when a given action or omitted action can result in damage to the equipment, or possible non-fatal injury to the user.



DANGER!

DANGER appears when a given action can cause severe injury or death.

1.2 Using This Manual

Use the following table to locate the specific information you need in this manual.

If you need...	... Turn to page:
Information about obtaining service	iv
General information about the Vision 85 DLP Projector and VHD Controller	3
Installation instructions	17
First-time configuration instructions	32
Advanced configuration instructions	47
Troubleshooting tips	64
Product specifications	73

The all-new Vision 85 DLP Projector and VHD Controller is the most high performance single-chip DLP™ 1920 x 1080 projection system available. Its performance is so impressive that the Vision™ Model 85 earns prestigious THX® certification, joining other Vidikron products as the world's first to earn this distinction.

The Vision™ Model 85 incorporates a state-of-the-art light engine featuring engineering advancements for more efficient use of optical light engine design. This includes a sophisticated color balancing system and the industry's best gray scale tracking. Vidikron's exclusive V2 Aperture Control™ enables an ideal balance between black and white levels for each individual installation.

Vidikron's exclusive, all-digital Imagix™ video processing is included for the most advanced video processing, 1080p scaling, and pristine image quality available. The Vision™ Model 85 offers a broad array of video inputs, including HDMI™. Discrete infrared (IR) and RS-232 control make custom installation seamless, while discrete source and aspect ratio selection accommodate any automation control system.

For uncompromising widescreen reproduction of movies originally filmed in the "scope" (2.35:1) format, the Vision 85 can be equipped with Vidikron's patent-pending CineWide™ technology, a combination of software, electronics and high-quality anamorphic optics. CineWide maintains constant vertical height on the screen just as in a movie theater. When a viewer transitions from 1.78:1 (16:9) program material to 2.35:1, the image simply gets wider while full height is maintained.

**Note**

CineWide requires the use of a 2.35:1 or similar aspect ratio superwide format screen.

1.3 Description, Features and Benefits

- Key Features and Benefits** ➤ The Vision 85 offers these key features and benefits:
- Vidikron-engineered, Enhanced GEN 3 Technology™ with V²AC
 - Native Resolution: 1920 x 1080 (16:9 Native Aspect Ratio)
 - Two HDMI Inputs (on VHD Controller) with High-bandwidth Digital Content Protection (HDCP)
 - HDTV Compatible

- Parts List** ➤ Your Vision 85 is shipped with the following items. If any items are missing or damaged, please contact your Vidikron dealer or Vidikron Customer Service at (888) 4VIDIKRON.
- Vision 85 DLP Projector and VHD Controller
 - Remote Control Unit and two (2), AAA-size batteries
 - AC Power Cords (2)
 - RJ-11 Telephone Cable, 50 feet (15.24 meters)
 - 9/64" Hex Wrench (for lens adjustments)
 - Rack-mount hardware for the VHD Controller
 - Warranty information and registration card
 - Vidikron Vision 85 Owner's Operating Manual (this document)

Optional Accessories:

- CineWide™ technology (fixed, secondary anamorphic lens)
- Ceiling mount kit

2. Controls and Functions

Figure 2-1 shows the key Vision 85 components.

2.1 Vision 85 at a Glance

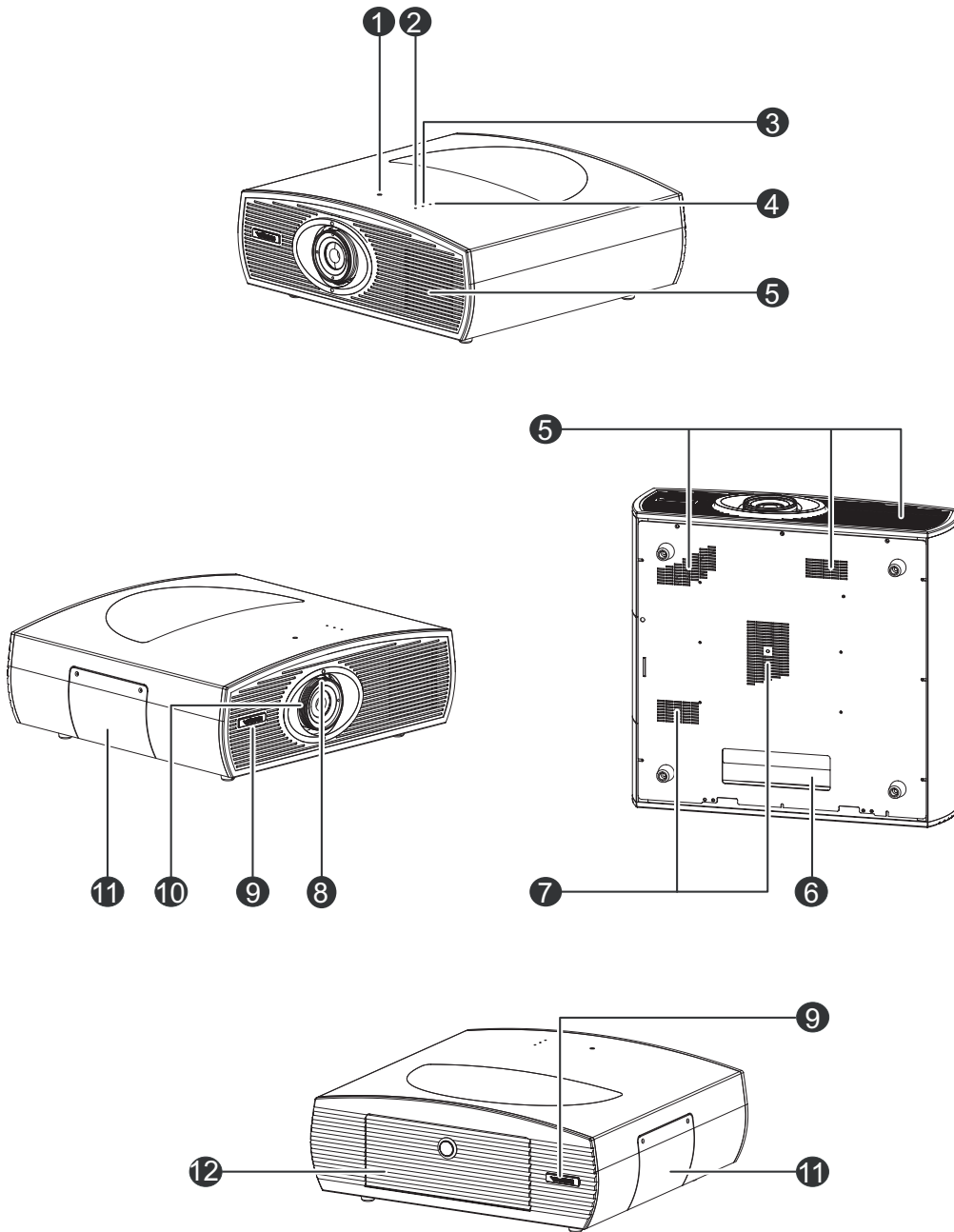


Figure 2-1. Vision 85 Front/Top/Side/Bottom/Rear View

1. **VERTICAL LENS SHIFT**
Using a 9/64" hex wrench, turn this to move the lens up or down.
2. **POWER LED**
Lights red to indicate that the projector is in standby; flashes blue during warm-up or cool-down or lights blue to indicate normal operation.
3. **LAMP LED**
Lights blue to indicate normal lamp operation; lights red if the lamp has failed.
4. **TEMP LED**
Lights red to indicate that the projector has overheated and shut down.
5. **EXHAUST VENTS**
Hot air exits the projector through these vents. This air can be quite hot. Ensure that there are no heat-sensitive objects near it and that it is never blocked.
6. **CABLE OPENING**
Pass cables through this opening.
7. **INTAKE VENTS**
Cool air enters the projector through these vents. To prevent overheating, ensure that these vents are never blocked.
8. **ZOOM TAB**
Turn this tab to make the projected image larger or smaller.
9. **VIDIKRON LOGO**
You can rotate the logo to match the projector orientation: inverted (ceiling-mounted) or upright. To rotate the logo, grip it at the sides, pull it away from the projector and rotate it 180 degrees.
10. **FOCUS RING**
Turn this ring to focus the image.
11. **LAMP COVER**
Remove this cover to access the lamp compartment.
12. **REAR PANEL ACCESS DOOR**
To access the connector panel, press the door release button so it pops out. Turn the knob clockwise or counter-clockwise and pull gently on it to open the door.

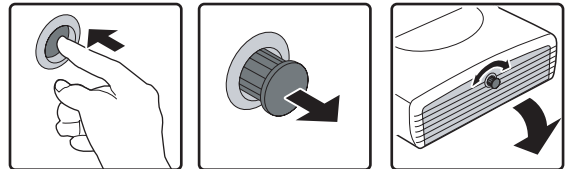
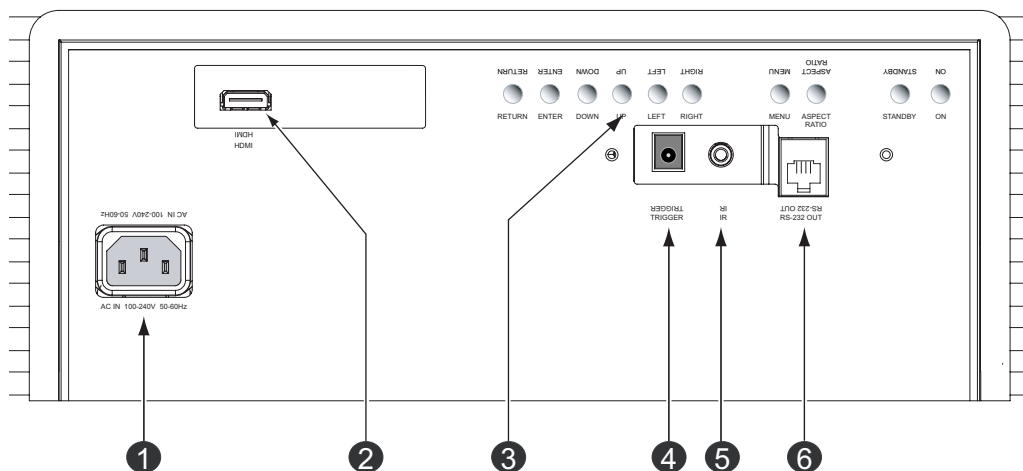


Figure 2-2 shows the Vision 85 rear panel.



2.2 Vision 85 Rear Panel

Figure 2-2. Vision 85 Rear Panel

1. **POWER INPUT (100 to 240 VAC)**
Connect the Vision 85 to power here.
2. **HDMI INPUT**
An HDCP-compliant, digital video input for connecting the HDMI output from the VHD Controller.
3. **BUILT-IN KEYPAD**
Used to navigate the Vision 85 on-screen menus. Refer to *Vision 85 Built-In Keypad* on page 14 for more information.
4. **12-VOLT (200 mA) TRIGGER OUTPUT (cylindrical, DC power supply-type jack)**
Connection for a retractable screen, screen masking or other, 12-volt trigger-activated equipment. Outputs +12 volts/200 mA when the projector is turned on.
5. **WIRED IR (3.5-mm, mini phono jack)**
Not used. To use an external infrared receiver or wired remote control with this projector, connect it to the IR input on the VHD Controller (see Figure 2-4).
6. **RS-232C INPUT (RJ-11 female connector)**
Connect the RS-232 output from the VHD Controller here, using the provided communication cable.

2.3 VHD Controller Front Panel

Figure 2-3 shows the controls and indicators on the VHD Controller front panel; the paragraphs that follow describe them.

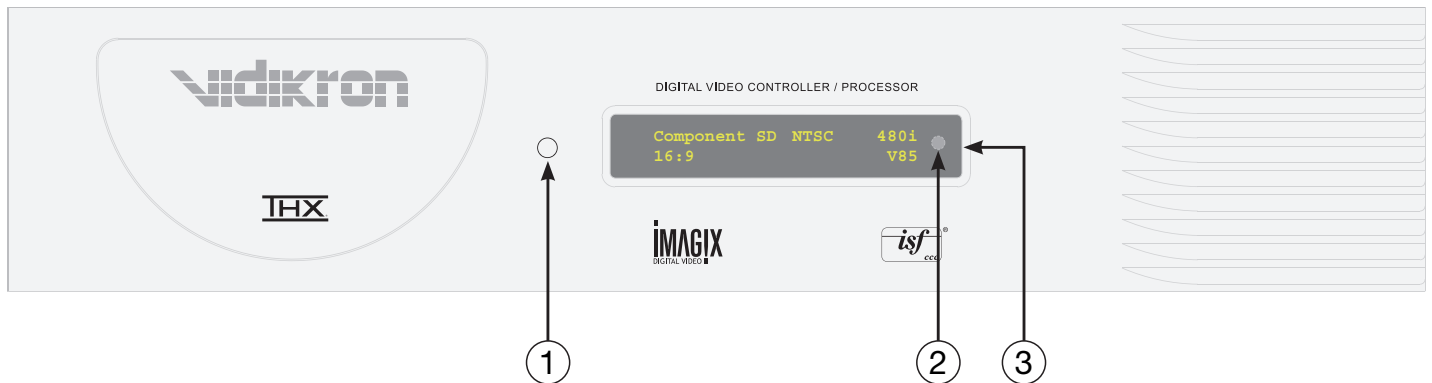


Figure 2-3. VHD Controller Front Panel

1. **POWER BUTTON**
Press once to toggle from standby mode to on mode. Press it again to return to standby mode. For a discrete on or off command, you can use the direct access buttons on the remote control.
2. **IR SENSOR**
Receives IR commands from the remote.
3. **VACUUM FLUORESCENT DISPLAY**
Can be used instead of the On-Screen Display (OSD). Displays currently-selected menu or – if no menu is selected – the current source, signal format (NTSC or PAL), input resolution and aspect ratio.

Figure 2-4 shows the rear connector panel on the VHD Controller.

2.4 VHD Controller Rear Panel

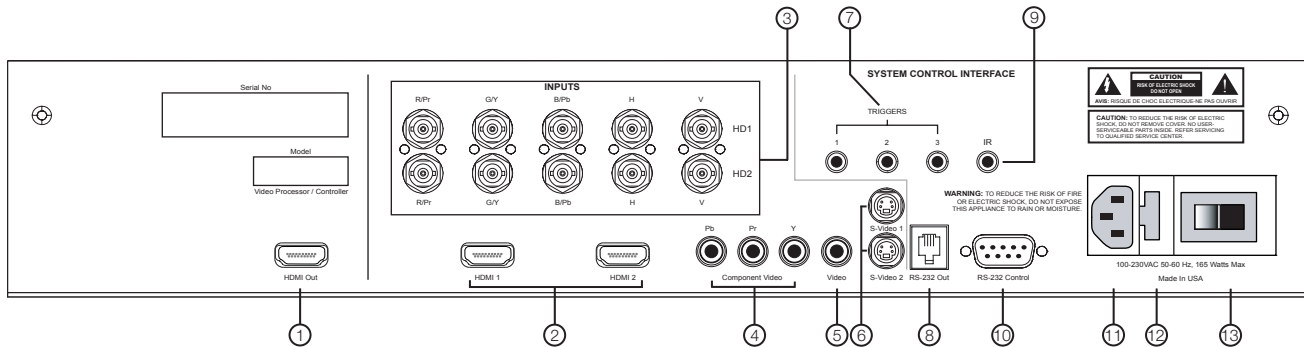


Figure 2-4. VHD Controller Rear Panel

1. **HDMI OUT**
Connect this to the **HDMI** Input on the Vision 85 (see Figure 2-2).
2. **HDMI 1 / HDMI 2 (Digital)**
Two, HDCP-compliant digital video inputs for connecting a DVD player or HD tuner with a DVI or HDMI output.
3. **HD1 / HD2 (5 x Analog BNCs)**
Two inputs (five BNCs per input) for connecting either RGB or component high-definition television signals. The VHD Controller automatically detects the signal format: RGB(HV) or YPrPb, 480p, 720p, 480i, 576i or 1080i.
4. **COMPONENT VIDEO (RCA connectors)**
Standard Definition (480i/576i) Component (YPrPb) input. This is the input for component video from sources such as DVD players.

← **Outputs**

← **Inputs**



Tip

For best results, do not run your DVD player in progressive mode.

5. **COMPOSITE VIDEO INPUT**
Standard composite video input for connecting a VCR, laser disc player or other composite video source.
6. **S-VIDEO 1 / S-VIDEO 2**
Two, standard S-Video inputs for connecting a DVD player, satellite receiver or Super VHS (S-VHS) VCR.
7. **12-VOLT (750 mA) TRIGGER OUTPUTS**
Connection for up to three (3), 12-volt trigger-controlled devices such as retractable screens or screen masks.
8. **ComLink (RS-232) OUTPUT**
Connect this to the ComLink (RS-232) input on the projector, using the provided communication cable.
9. **IR**
Wired input from a wired remote control or infrared receiver. It is a 3.5-mm, mini phono jack, wired as follows:
Ring = +5V
Tip = IR Input
Sleeve = Ground



Note

When an external remote control or infrared receiver is connected to the wired IR input, the IR sensor on the front of the VHD is disabled.

10. **RS-232 CONTROL PORT**
A female, 9-pin D-sub connector for interfacing with a PC or home theater automation/control system.
11. **POWER INPUT (100 to 240 VAC)**
Connect the VHD Controller to power here.
12. **MAIN AC FUSE**
This is the main AC input fuse (5mm x 20mm, 500 mA, 250V slow-blow).
13. **MAIN POWER SWITCH**
Disconnects or applies power to the VHD Controller.

Figure 2-5 shows the Vision 85 remote control, and the paragraphs that follow describe its functionality.

2.5 Vision 85 Remote Control Unit

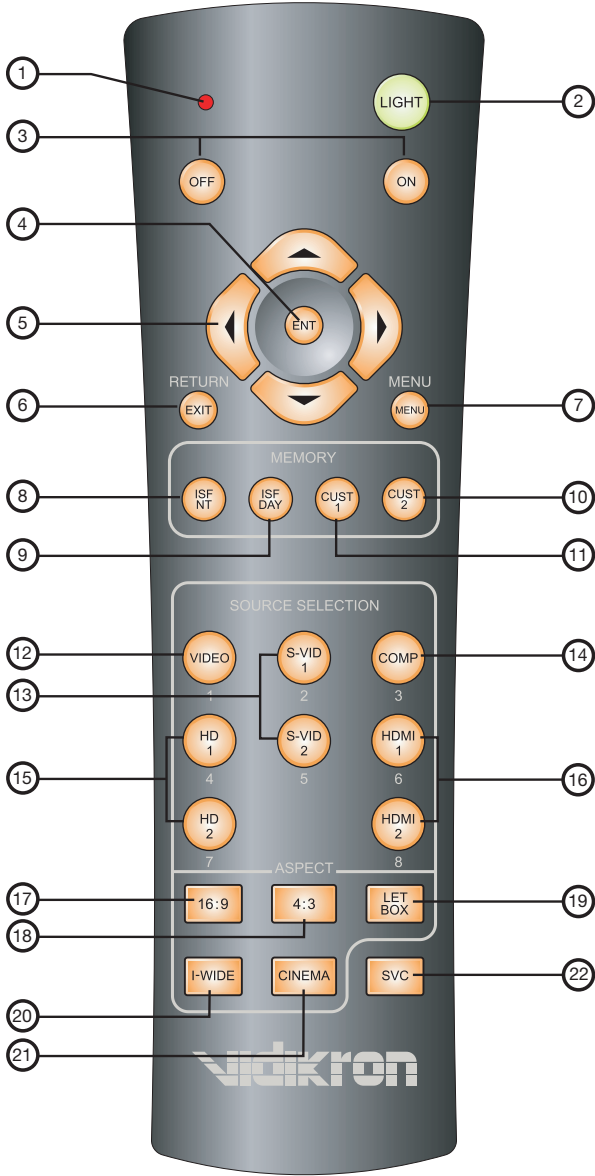


Figure 2-5. VHD Controller/Vision 85 Remote Control

1. **IR OUTPUT INDICATOR**

Lights when a button is pressed to indicate that an IR signal is being transmitted.

2. **LIGHT**

Press to illuminate the buttons.

3. **ON / OFF**

Press to turn the projector on or off.

4. **ENT (Enter)**

Press to select a highlighted menu item or confirm a changed setting.



Note

*On some remote control units, this button is where the **RETURN/EXIT** button (item #6) appears here.*

5. **Cursor Buttons (▲, ◀, ▼, ▶)**

Use these buttons to select items or settings, adjust settings or switch display patterns.

When no menu is present on-screen, the **UP** and **DOWN** buttons toggle through the available aspect ratios, in this order:

UP Button = 16:9 - Standard (4:3) - Letterbox - IntelliWide - Cinema - IntelliWide 2.35

DOWN Button = IntelliWide 2.35 - Cinema - IntelliWide - Letterbox - Standard (4:3) - 16:9



Note

IntelliWide 2.35 is available only on the Vision 85/CineWide and only on the analog inputs (HD/RGB, SD Component, Composite and S-Video). For more information about aspect ratios, refer to Table 4-1.

Likewise, the **LEFT** and **RIGHT** buttons toggle through the different source inputs, in this order:

LEFT Button = HDMI 2 - HDMI 1 - HD/RGB2 - HD/RGB 1 - Component SD - S-Video 2 - S-Video 1 - Composite

RIGHT Button = Composite - S-Video 1 - S-Video 2 - Component SD - HD/RGB 1 - HD/RGB 2 - HDMI 1 - HDMI 2



Note

*The "direct select" function of the **UP**, **DOWN**, **LEFT** and **RIGHT** buttons is available only on the analog inputs (HD/RGB, SD Component, Composite and S-Video).*

6. **RETURN/EXIT**

Press this button to exit the current menu and return to the previous one, or to cancel an operation.



Note

*On some remote control units, the **ENT (Enter)** button (item #4) is in this location.*

7. **MENU**

Press this button to access the OSD controls.

Memory Preset Buttons:

8. **ISF NT (Night)**
Press to recall settings for the current input from the "ISF Night" memory preset.
9. **ISF DAY**
Press to recall settings for the current input from the "ISF Day" memory preset.
10. **CUST 2**
Press to recall settings for the current input from the "Custom 2" or "White Enhance" memory preset.
11. **CUST 1**
Press to recall settings for the current input from the "Custom 1" or "Black Enhance" memory preset.
12. **VIDEO (1)**
Press to select Composite video input as the source or to enter the numeric character "1."
13. **S-VID 1 (2) / S-VID 2 (5) (S-Video)**
Press to select an S-Video input or to enter the numeric character "2" or "5."
14. **COMP (Component) (3)**
Press to select Component SD (480i/576i) video input as the source or to enter the numeric character "3."
15. **HD 1 (4) / HD 2 (7)**
Press to select a HD (RGBHV or YPbPr component) input or to enter the numeric character "4" or "7."
16. **HDMI 1 (6) / HDMI 2 (8)**
Press to select a Digital Video input or to enter the numeric character "6" or "8."

Aspect Ratio Selection Buttons:

Use these buttons to select an aspect ratio directly or to enter numeric characters, as follows:

17. **16:9 (9)**
For viewing 16:9 DVDs or HDTV programs in their native aspect ratio.
18. **4:3 (0)**
Scales the input signal to fit 4:3 display mode in the center of the screen.
19. **LETBOX (Letterbox)**
For viewing LaserDisc movies or non-anamorphic DVDs on a 16:9 screen.
20. **I-WIDE (IntelliWide)**
Enlarges a 4:3 image horizontally in a NON-linear fashion to fit 16:9 full screen display.
21. **CINEMA**
For viewing 2.35:1 source material.
22. **SVC (CineWide-equipped projectors only)**
Selects the IntelliWide 2.35 aspect ratio, used for viewing 16:9 source material on a 2.35:1 screen.

2.6 Vision 85 Built-In Keypad

The Vision 85 has a built-in keypad that you can use to access the menu system for working with digital 1080i or 1080p sources. Figure 2-6 shows the Vision 85 built-in keypad; the paragraphs that follow describe its use.

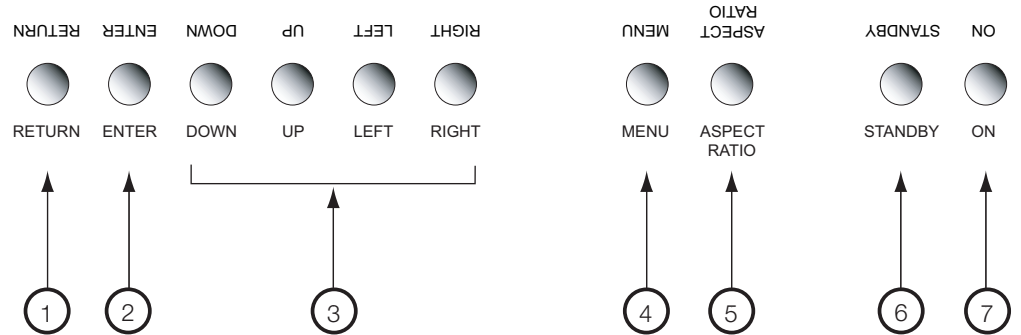


Figure 2-6. Vision 85 Built-In Keypad

1. **RETURN**
Press **RETURN** to exit the current menu or cancel an operation.
2. **ENTER**
Press **ENTER** to confirm a menu item selection.
3. **DOWN / UP / LEFT / RIGHT**
Use these buttons to select menu items or adjust settings.
4. **MENU**
Press **MENU** to display or hide the OSD menus for digital 1080i or 1080p sources.
5. **(not used)**
6. **STANDBY**
Press **STANDBY** to put the projector into standby mode.
7. **ON**
Press **ON** to turn the projector on or off.



Note

Only trained service personnel should use the built-in keypad.

Almost all projector configuration and operational tasks can be performed using the VHD Controller.

It is only necessary to use the built-in keypad if IR signals from the remote control cannot reach the VHD Controller, or for performing service-related tasks such as resetting the lamp hour counter (refer to **Lamp Replacement** on page 63).

Installation

3.1 Remote Control

◀ Battery Installation

To install batteries in the remote control:

1. Remove the battery cover from the back of the remote control.
2. Insert the batteries included with the remote control. Ensure that the polarities correctly match the \oplus and \ominus markings inside the battery compartment.
3. Replace the battery cover.



Note

1. Do not mix an old battery with a new one or different types of batteries.
2. If you will not use the remote control for a long time, remove the batteries to avoid damage from battery leakage.

The remote control can be used to control the Vision 85 within the ranges shown in Figure 3-1.

◀ Notes on Remote Control Operation



Figure 3-1. Available Range of the Remote Control

- Do not drop the remote control or expose it to moisture or high temperature.
- The remote control may malfunction under a fluorescent lamp. If that occurs, move the VHD Controller away from the fluorescent lamp.
- Make sure that there is nothing obstructing the infrared beam between the remote control and the IR receiver on the VHD Controller or projector.



Note

The signal from the remote control can be reflected by walls or other surfaces.

- If the effective range of the remote control decreases, or it stops working, replace the batteries with new ones.
- Ambient conditions may possibly impede the operation of the remote control. If this happens, point the remote control at the VHD Controller or projector and repeat the operation.

Table 3-1 gives a quick overview of the Vision 85 installation process. The sections following this one provide detailed instructions.

3.2 Quick Setup



Note

Installation should be performed by a qualified custom video installation specialist.

Table 3-1. Installation Overview

Step	Procedure	For Details, Refer to page...
1	Choose a location for the projector	18
2	Connect the VHD Controller to the projector	23
3	Connect signal sources to the VHD Controller	24
4	Connect external controller to RS-232 port (optional)	28
5	Connect other home theater components to 12-volt trigger outputs (optional)	28
6	Apply power to the projector	30
7	For rear-screen and/or ceiling-mount installations, select the proper picture orientation	30
8	Primary lens adjustments: projected image size (zoom), position (shift) and focus	20, 31
9	Install CineWide anamorphic lens (optional)	32
10	CineWide lens adjustments: position, pitch (angle), geometry and focus	33
11	<p>Projector calibration – Analog 1080i and lower-resolution signals: Adjust the following for Component SD input; save settings when finished:</p> <ul style="list-style-type: none"> • Aspect ratio • Brightness • Contrast • Color level • Tint • Input position 	39 through 52
12	Repeat Step 11 for S-Video 1, S-Video 2, Composite Video, HD1 and HD2 inputs	
13	<p>Projector Calibration – Digital 1080i or 1080p signals: Adjust the following for HDMI 1 and HDMI 2 inputs:</p> <ul style="list-style-type: none"> • Brightness • Contrast • Color level • Tint • Input position 	52 through 61

3.3 Installation Considerations

Proper installation of your projector will ensure the quality of your display. Whether you are installing a projector temporarily or permanently, you should take the following into account to ensure your projector performs optimally.

Installation Type ➤ Choose the installation type that best suits your needs: front or rear screen, floor mount or inverted mount. Table 3-2 compares these various installation methods.

Table 3-2. Projector Installation Options

Advantages	Considerations
Front Screen, Floor Mount Installation	
<ul style="list-style-type: none"> • Easy to set up • Can be moved or changed quickly • Easy to access 	<ul style="list-style-type: none"> • Shares floor space with audience
Front Screen, Inverted Mount (ceiling) Installation	
<ul style="list-style-type: none"> • Does not take up audience space • Projector is unobtrusive • Projector cannot be accidentally moved 	<ul style="list-style-type: none"> • Installation is more permanent • Projector access is more difficult
Rear Screen, Floor Mount Installation	
<ul style="list-style-type: none"> • Projector is completely hidden • Projector is easily accessed • Usually good ambient light rejection 	<ul style="list-style-type: none"> • Requires separate room • Installation cost is usually higher
Rear Screen, Inverted Mount (ceiling) Installation	
<ul style="list-style-type: none"> • Projector is completely hidden • Usually good ambient light rejection 	<ul style="list-style-type: none"> • Requires separate room • Installation cost is usually higher
Rear Screen, Floor Mount with Mirror	
<ul style="list-style-type: none"> • Projector is completely hidden • Usually good ambient light rejection • Requires less space behind screen than other rear screen installations 	<ul style="list-style-type: none"> • Requires separate room • Installation cost is usually higher

Ambient Light ➤ In general, minimize or eliminate light sources directed at the screen. Contrast ratio in your images will be noticeably reduced if light directly strikes the screen, such as when a shaft of light from a window or floodlight falls on the image. Images may then appear washed out and less vibrant.

Throw distance is the distance measured from the front of the projector to the screen. This is an important calculation in any projector installation as it determines whether or not you have enough room to install your projector with a desired screen size and if your image will be the right size for your screen.

◀ **Throw Distance**

You can quickly estimate the throw distance by taking the width of the screen and multiplying it by the lens throw ratio; see Figure 3-2. The result of this calculation tells you roughly how far back the projector should be positioned from the screen in order to project a focused image large enough to fill the screen.

Estimating Throw Distance

Throw Distance (TD) = Screen Width (w) × Lens Throw Ratio

Vision 85 Throw Ratio: 1.86 to 2.45

Vision 85/CineWide Throw Ratio: 1.92 to 2.45

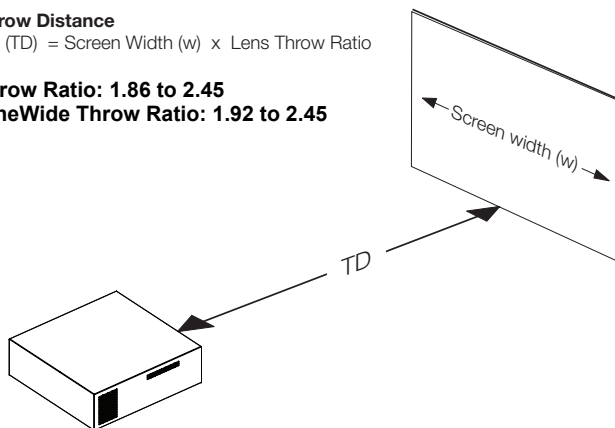


Figure 3-2. Estimating Throw Distance

The Vision 85 offers a throw ratio of between 1.86 and 2.45. For example, with a 100-inch wide screen, the Vision 85 has a throw distance range of between 186 inches (4.72 meters) and 245 inches (6.22 meters).

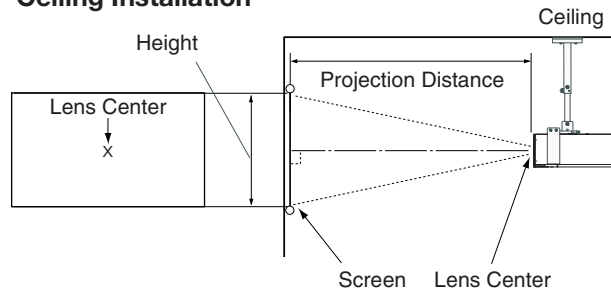
The Vision 85/CineWide offers a throw ratio of between 1.92 and 2.45. For example, with a 100-inch wide screen, the Vision 85 has a throw distance range of between 192 inches (4.88 meters) and 245 inches (6.22 meters).

Vertical and Horizontal Position ➤

Proper placement of the projector relative to the screen will yield a rectangular, perfectly-centered image that completely fills the screen.

Ideally, the projector should be positioned perpendicular to the screen and in such a way that the lens center and screen center are aligned with each other, as shown in Figure 3-3.

Ceiling Installation



Floor Installation

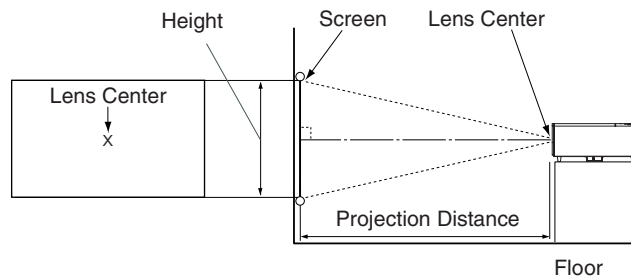
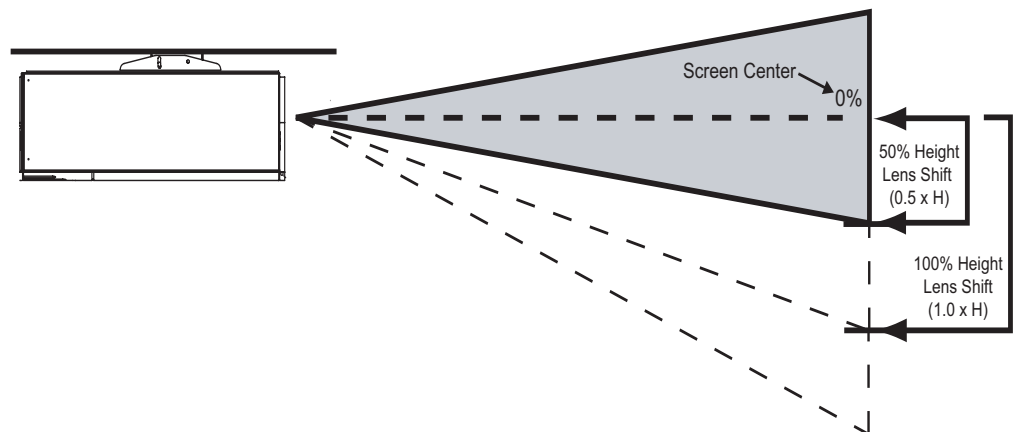


Figure 3-3. Projector Placement

Vertical Lens Shift ➤

If it is not possible to align the projector and screen as shown in Figure 3-3, you can use the lens shift controls to center the image on the screen. Lens shift is generally expressed as a percentage of the screen height or width, as shown in Figure 3-4.



Note: This is a general example of lens shift. Lenses vary in their shift capabilities. **No particular lens or projector is used in this example.**

Figure 3-4. Vertical Lens Shift (EXAMPLE ONLY)

The Vision 85 provides up to 50% of vertical lens shift in either direction. For example, with a 96 x 54-inch (16:9) screen, you can shift the image up to 27.00 inches (0.69 meters) above or below the screen center.

In rear screen applications where space behind the projector is limited, a mirror may be used to fold the optical path, as shown in Figure 3-5. The position of the projector and mirror must be accurately set. If you are considering this type of installation, contact your dealer for assistance.

◀ **Folded Optics**

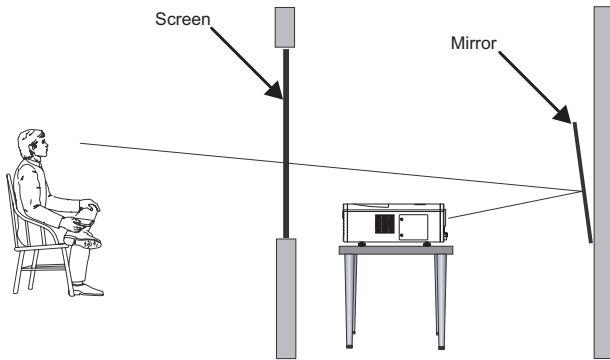


Figure 3-5. Folded Optics

Other considerations and tips that can help improve your installation:

◀ **Other Considerations**

- Keep the ambient temperature constant and below 35°C (95°F). Keep the projector away from heating and/or air conditioning vents. Changes in temperature may cause drifts in the projector circuitry, which may affect performance.
- Keep the projector away from devices that radiate electromagnetic energy such as motors and transformers. Common sources of these include slide projectors, speakers, power amplifiers and elevators.

3.4 Mounting the Vision 85

There are several methods for mounting the projector. Depending on your chosen installation, one method may be more suitable than another.

Floor Mounting (Upright) ➤ In typical front and rear screen installations, the projector can be mounted to a secure and level surface such as a table or cart. Carts are useful when moving a projector during a presentation or from site to site. If possible, lock the wheels when it's in position to prevent it from being moved during a presentation.

Ceiling Mounting (Inverted) ➤ For fixed installations, and for those that want the projector out of sight or have a limited space for projector and audience, you can invert the Vision 85 and suspend it from the ceiling using a specially-designed ceiling mount fixture.



Note

Use only the Vidikron-approved ceiling mount kit designed for your projector. Install the mount kit according to the instructions provided with it.

The projector can also be inverted and placed in an enclosure above and behind the viewing area. Install four feet on the inside bottom surface of the enclosure on which the projector can rest. A variety of materials can be used for this purpose (for example, rubber crutch tips or turntable feet).

Adjusting the Projection Angle ➤ If the Vision 85 is ceiling-mounted and the screen is significantly lower than the projector, you can tilt the projector at a slight angle by adjusting the ceiling mount.

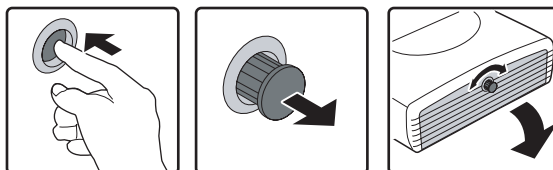
If you do this, you may need to shift the image using the OSD controls, to compensate. For detailed instructions, refer to **Using the On-Screen Menus** on page 37.

Proceed as follows to connect the VHD Controller to the Vision 85, your video sources, external controller(s) – if present – and AC power.

When connecting your equipment:

- Turn off all equipment before making any connections.
- Use the correct signal cables for each source.
- Ensure that the cables are securely connected. Tighten the thumbscrews on connectors that have them.

To access the connector panel, press the door release button so it pops out. Turn the knob clockwise or counter-clockwise and pull gently on it to open the door.



3.5 Connections to the Vision 85 and VHD Controller

← Connector Panel Access

The Vision 85 is designed to receive only video input signals directly from the companion VHD Controller/Processor. Connect all signal sources to the appropriate inputs on the rear panel of the VHD. The signal from the VHD is then output to the Vision 85 projector through an HDMI cable.

← Connecting the Projector to the VHD Controller



Note

You CANNOT connect signal sources directly to the Vision 85. They MUST be routed through the VHD Controller for proper operation.

Connect the HDMI and RS-232 outputs of the VHD Controller to the corresponding inputs of the Vision 85; see Figure 3-6.

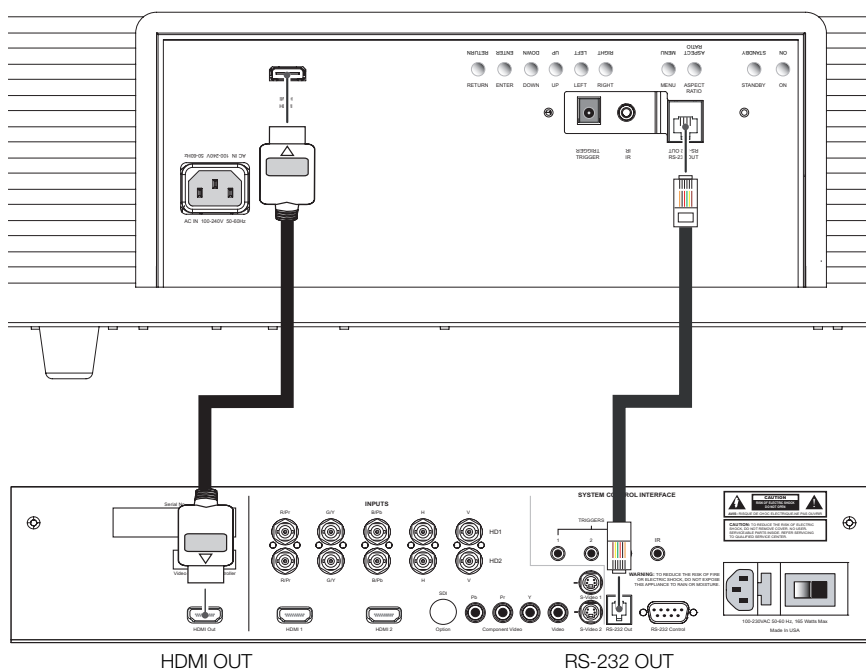


Figure 3-6. Connecting the Projector to the VHD Controller

Connecting Source Components to the VHD Controller

Connect your video sources to the VHD Controller as shown and described in the sections that follow.

HDMI Connections: See Figure 3-7.



Tip

Use the HDMI inputs whenever possible. This ensures the highest video quality because the signal is carried in the digital domain throughout the entire signal path, from source component output into the projector.

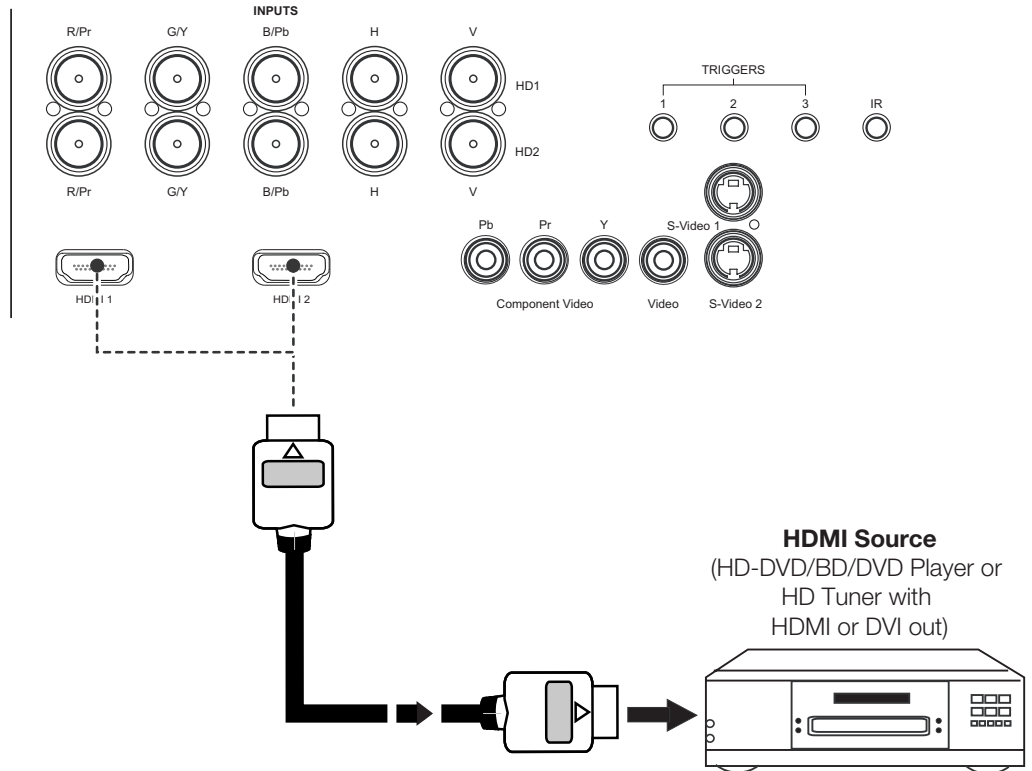


Figure 3-7. HDMI Source Connections

Digital (DTV) RGB or Component Video Connections: See Figure 3-8.

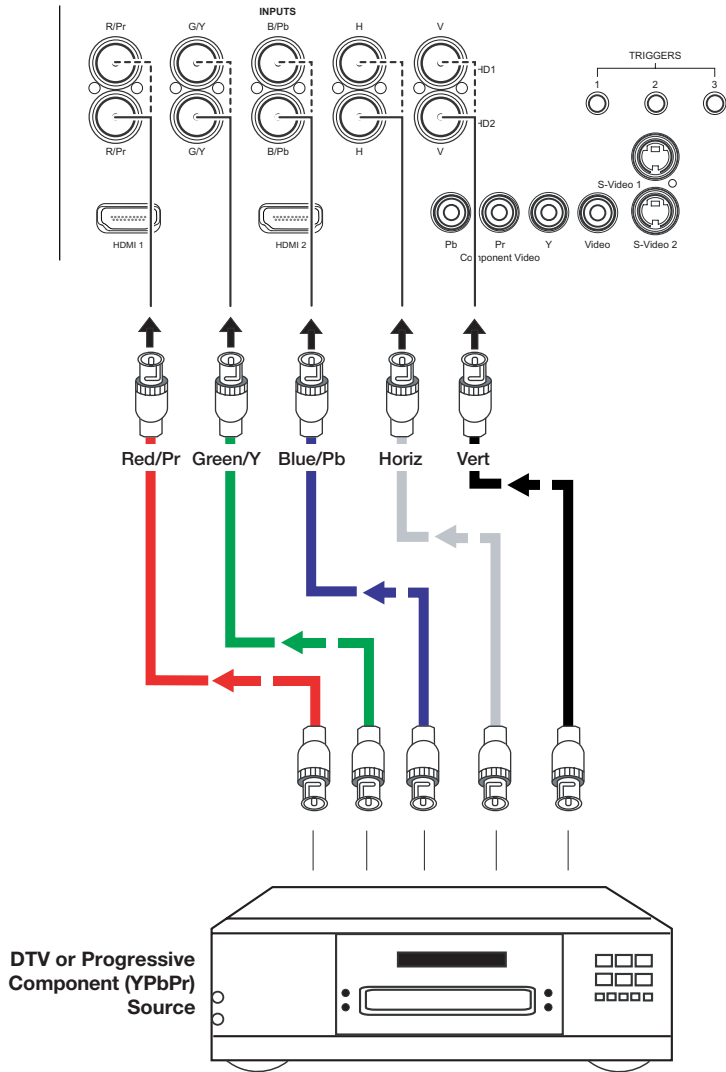


Figure 3-8. Digital (DTV) RGB or Component Video Connections

Analog (Computer) RGB Connections: See Figure 3-9.

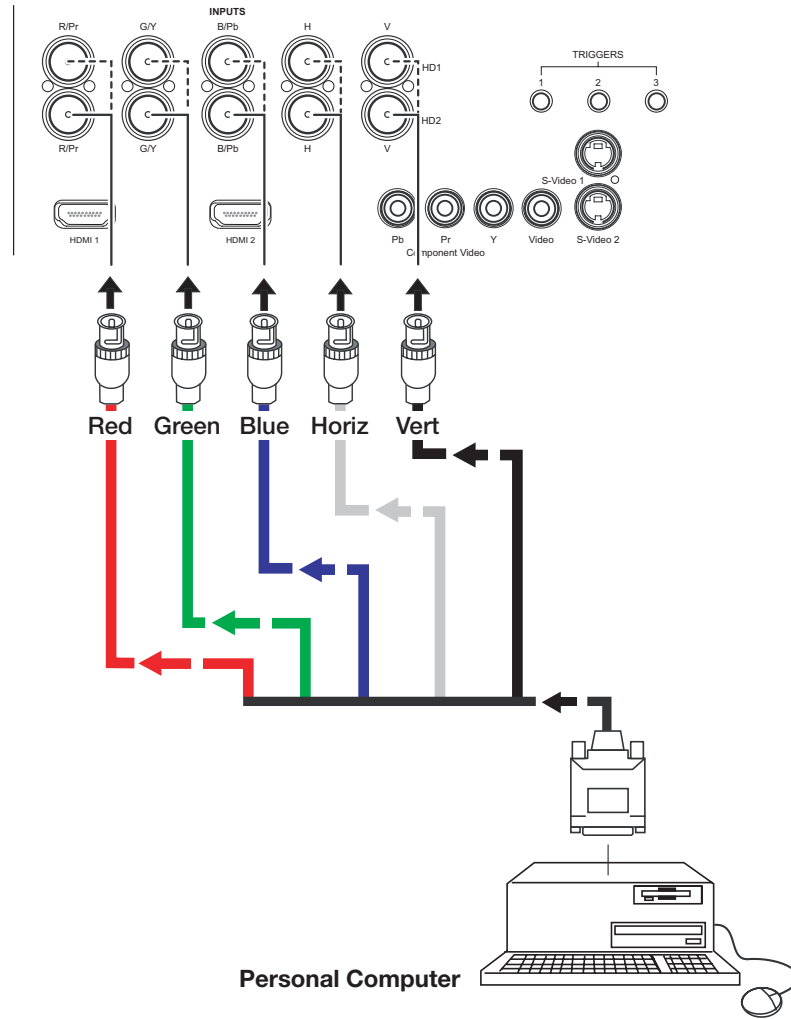


Figure 3-9. Analog RGB Connections

Composite/S-Video/Component Video Connections: See Figure 3-10.

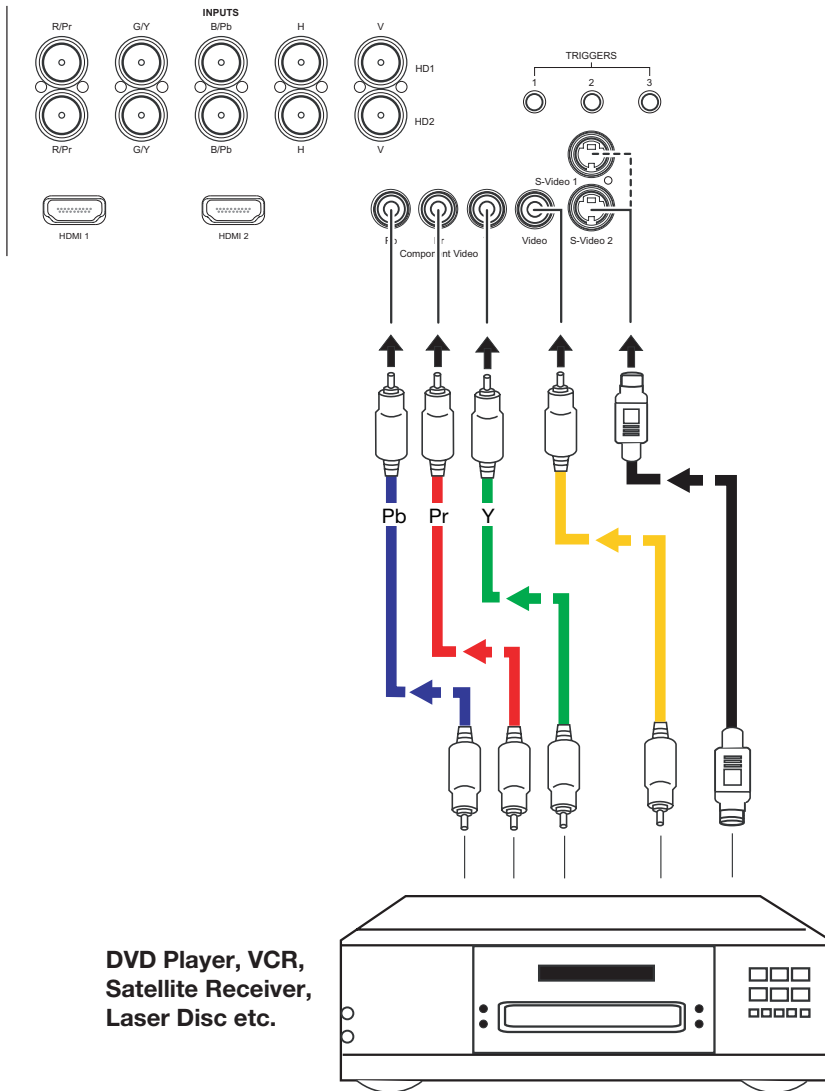


Figure 3-10. Composite, S-Video and Component Video Connections

Connecting a PC or Automation System to the VHD Controller

Use a standard, 9-pin RS-232 cable to connect a PC or home theater control/automation system (if present) to the RS-232 Control port on the VHD Controller; see Figure 3-11. For more information about using this connection, refer to **Serial Communications** on page 67.

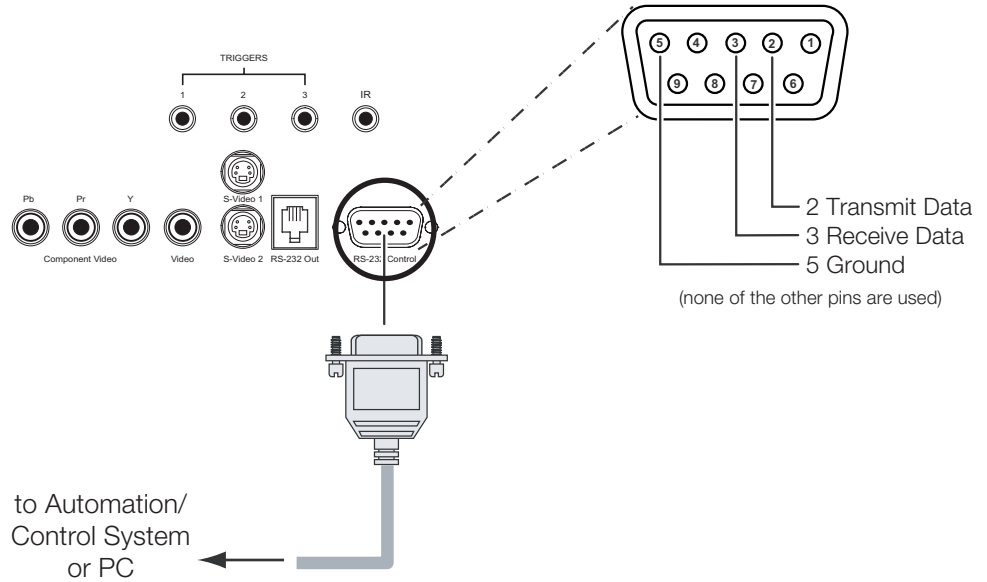


Figure 3-11. RS-232 Control System Connection

Connecting 12-Volt Trigger Outputs to External Equipment

VHD Controller: If your home theater contains equipment that responds to 12-volt triggers (such as a retractable screen or screen mask), connect them to the 12-volt trigger outputs of the VHD Controller as shown in Figure 3-12.

For more information on using the VHD Controller triggers, refer to **Triggers** on page 51.

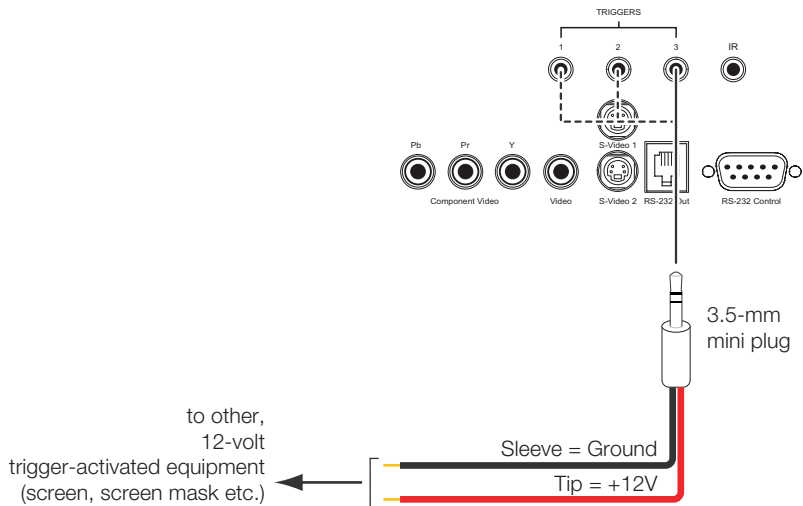


Figure 3-12. 12-volt Trigger Output Connections (from VHD Controller)

Projector: The projector is equipped with an additional 12-volt trigger output. This trigger activates when the projector is turned on. Connect it to your retractable screen or other, 12-volt trigger-activated equipment as shown in Figure 3-13.

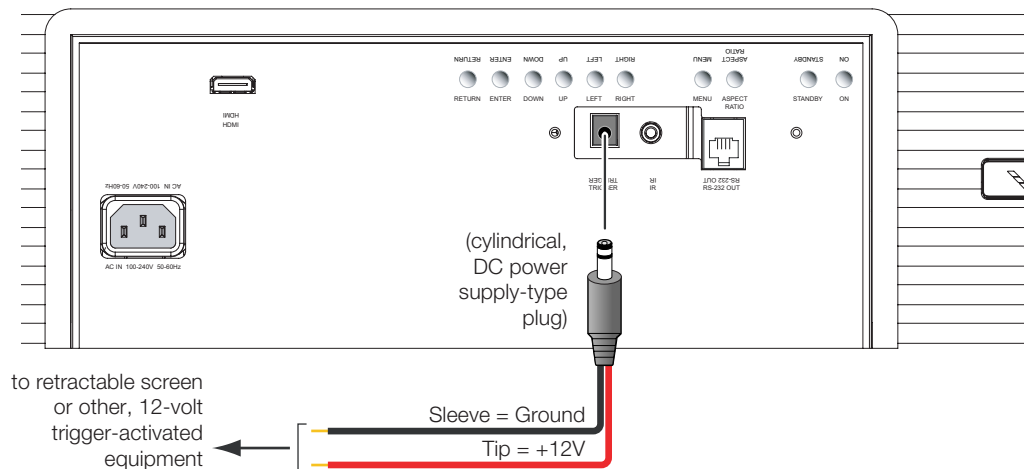


Figure 3-13. 12-volt Trigger Output Connection (from Projector)

If infrared signals from the remote control cannot reach the VHD Controller due to excessive distance or obstructions such as walls or cabinet doors, you can connect an external IR receiver to the VHD Controller to extend the range of the remote control. See Figure 3-14.

◀ **Connecting an External IR Receiver to the VHD Controller**

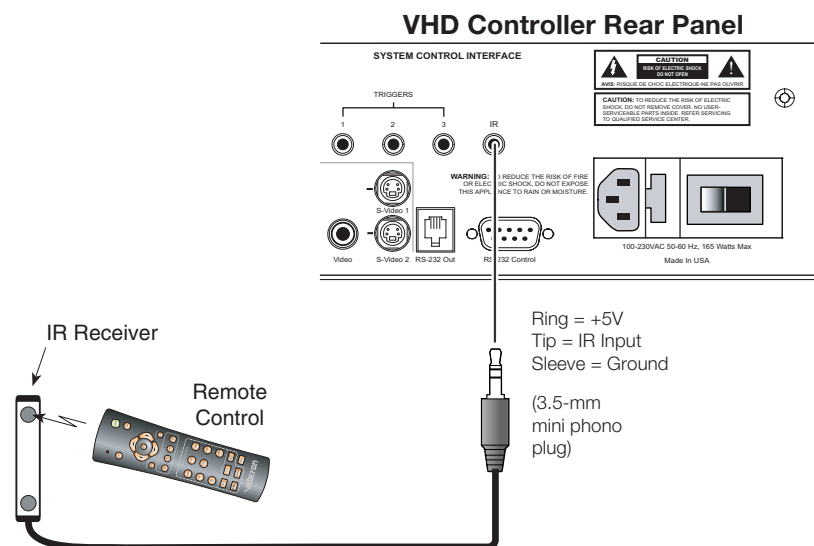


Figure 3-14. External IR Receiver Connection



Note

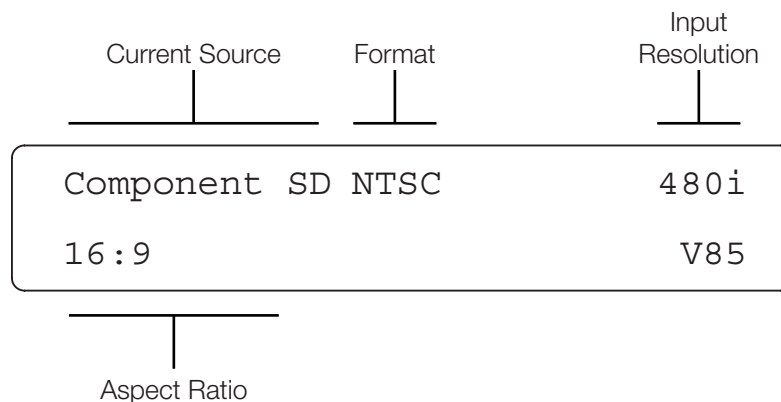
When an external IR receiver is connected to the wired IR input, the built-in IR sensor on the VHD Controller is disabled.

Connecting to AC Power ➤ The Vision 85 system includes two (2) AC power cords (one each for the projector and VHD Controller).

Plug the female end of one power cord into the AC receptacle on the rear of the Vision 85 (AC 100V to 240V). Then, connect the other end to your AC power source. Similarly connect the VHD Controller to a nearby AC outlet.

3.6 Turning on the Power

1. Turn on your source components.
2. Turn on the main power switch at the rear of the VHD Controller.
3. Press the **ON** button on the remote control – or the **POWER** (⏻) button on the VHD Controller front panel – to turn on the system. The vacuum fluorescent display on the VHD Controller front panel briefly displays “Starting Display.”
4. When the projector is ready for use, the fluorescent display indicates the active source, signal format (NTSC or PAL), input resolution and aspect ratio; for example:



3.7 Adjusting the Picture Orientation

By default, the Vision 85 is configured for a “floor/front” installation, in which the projector is installed upright and in front of the screen. If it is installed behind the screen and/or mounted on a ceiling, you must change the picture orientation. To do this:

1. Select an input OTHER THAN HDMI 1 or HDMI 2 on the VHD Controller.
2. Press **MENU** and enter the Service Menu passcode.
3. Select Service from the Main Menu.
4. Select Display Device from the Service Menu, then select Configure.
5. Press ▼, then choose Floor/Rear, Ceiling/Front or Ceiling/Rear, to match the installation method.

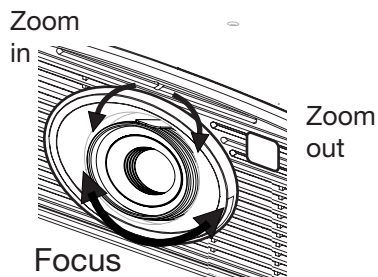


Note

You must enter a passcode to access the Service menu.

To focus the projected image, gently rotate the lens by hand.

To enlarge the picture (zoom in), move the zoom tab toward the Vidikron logo on the front of the projector. To make the picture smaller (zoom out), move the tab in the other direction.



3.8 Primary Lens Adjustments

◀ Focus and Zoom

To change the projected image position, use a 9/64" hex driver to shift the lens in the desired direction; see Figure 3-15. The vertical lens shift control is at the top of the projector. (The tool will automatically center on top of the adjustment nut when inserted into the access hole.)

◀ Vertical Lens Shift

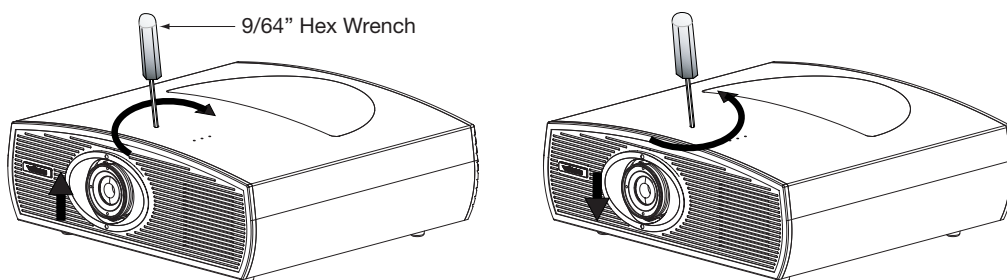


Figure 3-15. Vertical and Horizontal Lens Shift Adjustments

3.9 Installing and Adjusting the CineWide Anamorphic Lens

If you are installing a CineWide-equipped projector, proceed as follows to install and adjust the anamorphic lens.



Note

It is extremely important that the primary lens is properly adjusted before you install the anamorphic lens. Ensure that the image from the primary lens is perfectly centered on the screen.

The standard Vision 85/CineWide uses a prismatic-style anamorphic lens. This type of lens compresses the height of the image (as opposed to stretching the width) to achieve a 2.35:1 aspect ratio with a 1.78:1 display device.

The standard Vision 85 Anamorphic lens mount kit consists of everything shown in Figure 3-16. Some components shipped with your projector may differ slightly from what is shown in these instructions.

If any items are missing or damaged, please contact your Vidikron dealer or Vidikron Customer Service at (888) 4VIDIKRON.

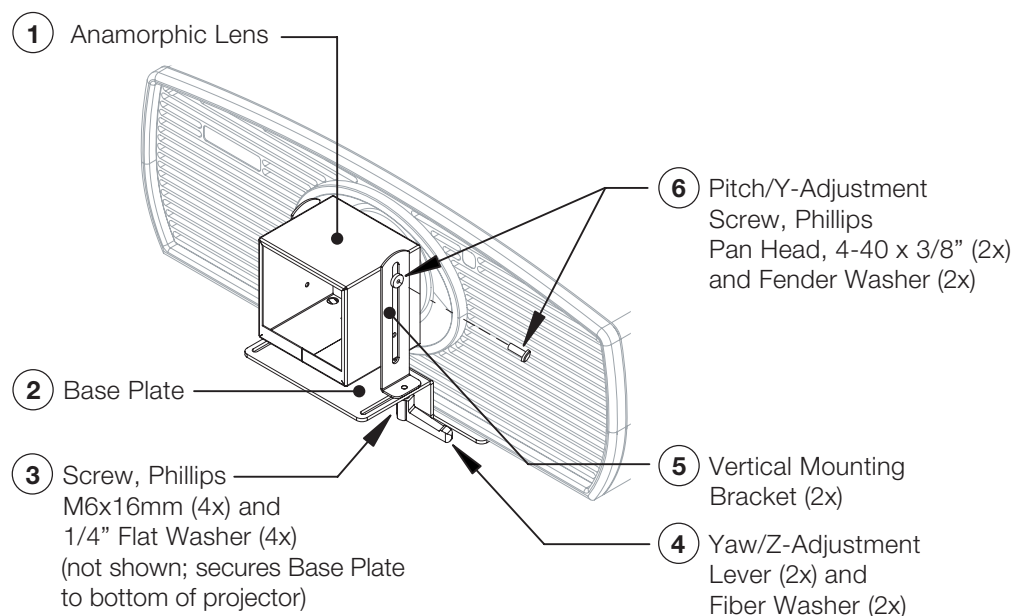
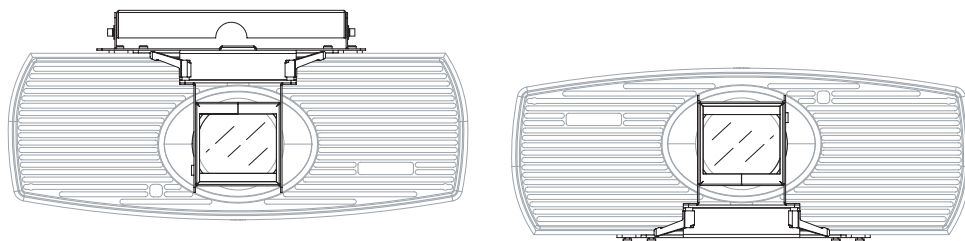


Figure 3-16. Vision 85 Anamorphic Lens Mounting Assembly - Exploded View

1. Use the Pitch Adjustment Screws (item #3) and Washers (item #6) to attach the Mounting Brackets (item #2) to the Anamorphic Lens (item #1).
2. Use the four Y-Adjustment Screws (item #5) and Washers (item #4) to attach the Anamorphic Lens assembly and Spacers (item #7) to the front of the projector. (Do not fully tighten the screws yet.)

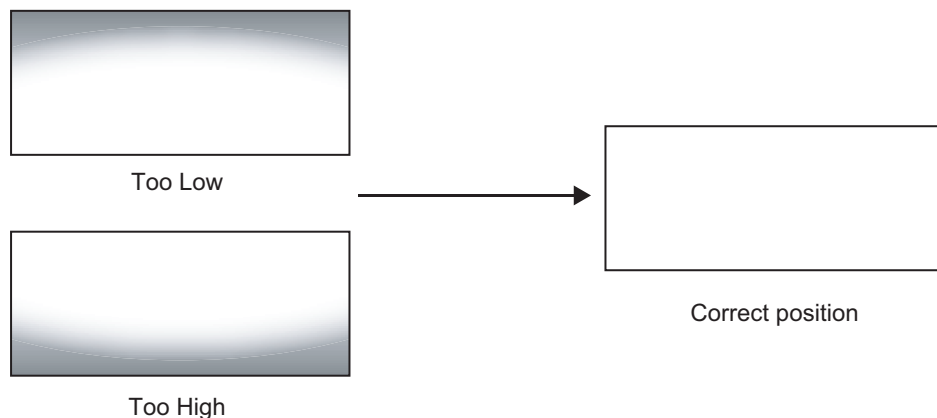
**Tip**

To avoid clipping the corners of the image, position the anamorphic lens as close as possible to the primary lens.



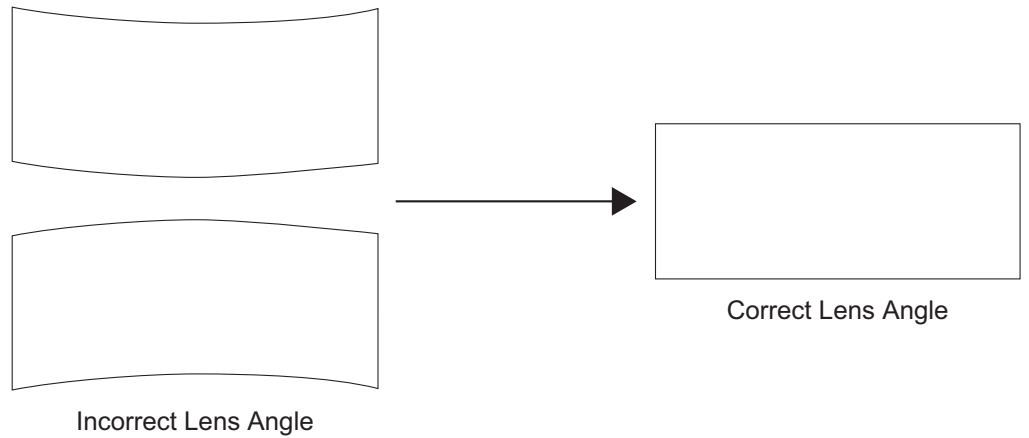
Adjusting the Lens Height (Y):

1. Project a white field on the screen.
2. Ensure that the four Height (Y) Adjustment Screws are loose enough to allow vertical movement of the lens assembly.
3. Slowly move the anamorphic lens into place so that there are no shadows on the top or bottom of the screen:



4. When the height is properly set, tighten the Height Adjustment Screws to secure the lens in place.

Adjusting the Pitch (Angle): Next, angle the lens to even out any top-to-bottom pincushion distortion. To do this, loosen the Pitch Adjustment Screws on either side of the lens to allow it to pivot freely. Then, adjust the anamorphic lens angle so that the projected image is rectangular:



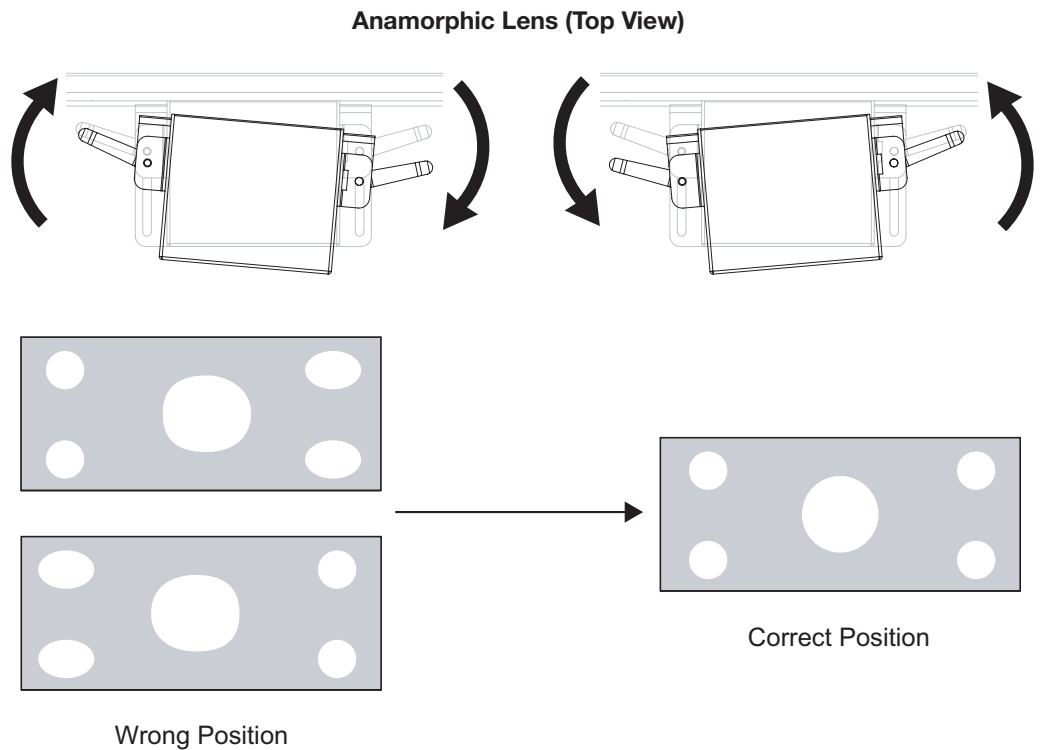
The anamorphic lens will almost always be angled with respect to the projector; this is normal. Once the proper lens angle has been set, firmly tighten the Pitch Adjustment Screws to secure the lens in place.



Note

There may be some pincushion distortion even after the lens is properly adjusted, especially at shorter throw distances. If this is the case, Vidikron recommends that you slightly over-scan the image into the screen frame area to mask the distortion.

Adjusting the Yaw: Loosen the Yaw/Z-Adjustment Levers to allow the lens to pivot freely from side to side. Then, angle the lens to even out any left-right pincushion distortion:



Once the proper lens angle has been set, firmly tighten the Yaw/Z-Adjustment Levers to secure the lens in place.

Press the **MENU** button on either the remote control or the VHD Controller front panel to display the Main Menu.

To select a menu item, use the ▲ and ▼ buttons on either the remote control or the VHD Controller front panel to highlight it. Press **ENTER** to confirm your selection.

The Vision 85 OSD menus are arranged hierarchically; exactly how they are arranged depends on the input signal resolution. For 1080i *digital* or 1080p signals, the menu structure is as shown and described in *On-Screen Menus for 1080i (Digital) or 1080p Signals* on page 51.

When the input signal resolution is 1080i *analog* (via the HD1 or HD2 input) or lower, the menu structure is as shown in Figure 4-1. Depending on the selected input source and signal characteristics, some menu options may not be available.

4.1 Using the On-Screen Menus

4.2 On-Screen Menus for 1080i (Analog) and Lower-Resolution Signals

Input Source	Composite
	S Video 1
	S Video 2
	Component SD
	HD/RGB 1
	HD/RGB 2
	HDMI 1
HDMI 2	
Aspect Ratio	16:9
	4:3
	Letterbox
	IntelliWide
	Cinema
	IntelliWide 2.35
Picture	Brightness
	Contrast
	Color
	Tint
	Sharpness
Input Position	Left/Right
	Up/Down
	Width
	Height
	Overscan
ISF Presets	Recall ISF Night
	Recall ISF Day
	Recall/Save Custom 1
	Recall/Save Custom 2
	Reset Custom 1 & 2 to Factory Default
Information (read-only)	Serial Number
	Hardware
	Firmware
	Date

Note: IntelliWide 2.35 is available only on the Vision 85/CineWide and only on the analog inputs (HD/RGB, Component SD, Composite and S-Video).

Calibration	ISF Night - Display Color	Gain
		Offset
		Gamma
		Iris
		Color Temp
	Lamp Power (0 = Low; 1 = High)	
	ISF Night - Input Image	Brightness
		Contrast
		Color
		Tint
	ISF Night - Input Color	Sharpness
		Gain
		Offset
		Chroma Delay
	ISF Day - Display Color	Phase
		Noise Filter
		Gain
		Offset
		Gamma
	ISF Day - Input Image	Iris
Color Temp		
Lamp Power		
Brightness		
Contrast		
ISF Day - Input Color	Color	
	Tint	
	Sharpness	
	Gain	
	Offset	
Save ISF Settings	Back / Confirm	
Output Shift	Chroma Delay	
	Phase	
	Noise Filter	
	Left/Right	
	Up/Down	
Splash Configure	Width	
	Height	
	Save	
	Owner Name	
	ISF Calibrated	
OSD Position	ISF Other	
	Vidikron/ISF Logo Splash Screen Timers (2 ... 60 sec.)	

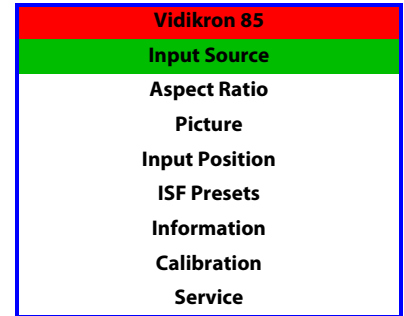
Service	Test Video	Grey Bars 1	
		Grey Bars 2	
		Color Bars 1	
		Color Bars 2	
	Input Names	Rename, Restore or Save	
	Remote Control	Primary	
		Secondary	
	Analog Out Mode	RGB-, RGB++ or RGBS	
	Display Device	Configure	Orientation
			Overscan
			Fan Mode (0 = Normal; 1 = High Altitude)
			Height (0 ... 100)
	HD Format		Lamp Hours
			Auto, RGB or YUV
			ADC Bandwidth
Auto, 75 MHz, 150 MHz or 300 MHz			
Triggers		YPbPr Input Resolution	
		Auto, 480i/p, 576i/p, 720p or 1080i	
Miscellaneous		1 / 2 / 3 / Save	
		Language	
		English, French, German or Spanish	
		Menu Mode	
		Timeout	
System Reset		Side Bar Color	
		Film Mode (SD src. only)	
Restore Saved Settings			

Figure 4-1. VHD Controller OSD Menu Structure for Vision 85 (1080i Analog and Lower-Resolution Sources)

The Main Menu is the starting point for accessing all projector functions.

(The Calibration and Service menus are hidden and not accessible until you enter a passcode.)

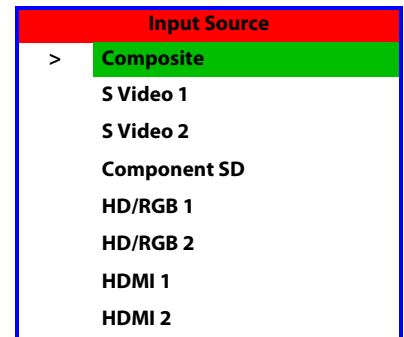
◀ **Main Menu**



From the Main Menu, select Input Source to choose a video signal source.

The active source is indicated by an arrow (>) to its left; in the example at right, Composite is the active source.

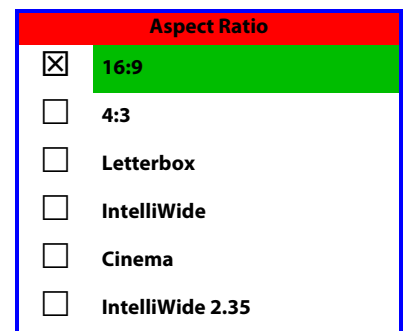
◀ **Input Source**



To change the aspect ratio (size and shape) of the projected image, select Aspect Ratio from the Main Menu and press **ENTER**. Select the appropriate aspect ratio for your screen size and the type of program material being viewed; refer to Table 4-1.

The currently-selected aspect ratio is indicated by a "☒" to its left; in the example at right, 16:9 is selected.

◀ **Aspect Ratio**



Note

*When you change the aspect ratio, save the change to a preset afterwards. Otherwise, the change will be lost when a different input is selected. (The aspect ratio is saved for each input and resolution separately.) For information about saving settings, refer to **ISF Presets** on page 44.*

Table 4-1. Aspect Ratio Settings

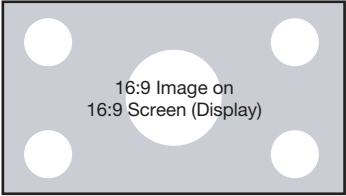
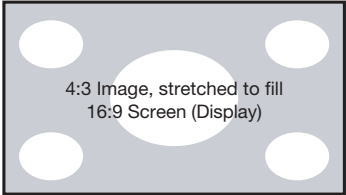
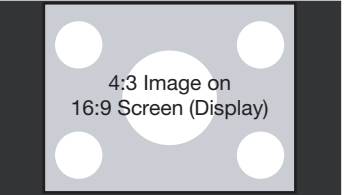
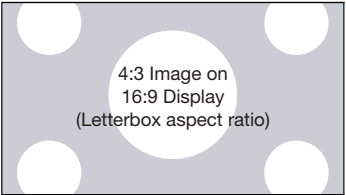
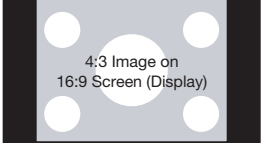


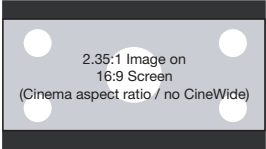
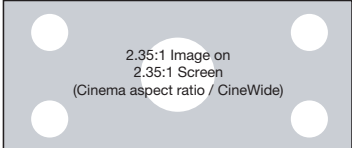
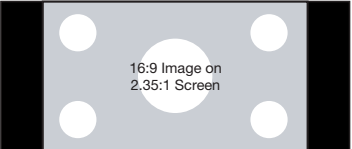
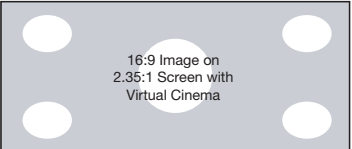
Aspect Ratio	Description	Description
16:9	 	<p>Select 16:9 to view 16:9 DVDs and HDTV programs in their native aspect ratio.</p> <p>4:3 images are stretched horizontally to fit a 16:9 screen.</p>
4:3		<p>4:3 scales the input signal to fit in the center of the 16:9 screen. 4:3 is the aspect ratio used by computer monitors, standard television programming and most VHS video cassettes.</p>
Letterbox		<p>Letterbox mode scales (zooms in on) a 4:3 image linearly (by the same amount on all sides) to fill a 16:9 display. Letterbox is best suited for viewing LaserDisc movies or non-anamorphic DVDs on a 16:9 screen.</p>
IntelliWide	  	<p>IntelliWide scales a 4:3 image NON-linearly (more on the sides than in the center) to fit a 16:9 screen.</p> <p>On a 2.35:1 screen, the image is centered between black bars on either side.</p>

Table 4-1. Aspect Ratio Settings (continued)

Aspect Ratio	Description	
Cinema	 	<p>Select Cinema to view 2.35 source material in its native aspect ratio.</p> <p>With a 16:9 screen and a non-CineWide projector (no anamorphic lens), the upper and lower portions of the screen are masked, but the geometry of the active image area is unchanged.</p> <p>With a 2.35:1 screen and a CineWide-equipped projector, the VHD Controller scales the 2.35:1 image so that the active image area fills the 16:9 chip surface, eliminating the black bars. The secondary, anamorphic lens then restores the proper geometry to the 2.35:1 image.</p>
IntelliWide 2.35	 	<p>A 16:9 image is scaled NON-linearly (more on the sides than in the center) to fit a 2.35:1 screen. IntelliWide 2.35 is available only on the Vision 85/CineWide and only on the analog inputs (HD/RGB, SD Component, Composite and S-Video).</p>

Use the controls in the Picture Menu to calibrate your Vision 85 for optimum picture quality.

The Vision 85 has been designed to incorporate setup and calibration standards established by the Imaging Science Foundation (ISF). The ISF has developed carefully crafted, industry-recognized standards for optimal video performance and has implemented a training program for technicians and installers to use these standards to obtain optimal picture quality from Vidikron video display devices. Accordingly, Vidikron recommends that setup and calibration be performed by an ISF certified installation technician.

All signal types require separate processing. Therefore, you need to calibrate each input separately.



Note

*When you change a picture quality setting, save the change to a preset afterwards. Otherwise, the change will be lost when a different input is selected. (Picture quality settings are saved for each input and resolution separately.) For information about saving settings, refer to **ISF Presets** on page 44.*

◀ **Picture**

Picture
Brightness
Contrast
Color
Tint
Sharpness

Although it may be possible to obtain satisfactory picture quality using the naked eye and regular program material, Vidikron recommends using the following calibration tools for best results:

- External test pattern source -- Ovation Multimedia, Digital Video Essentials or AVIA test DVD or equivalent.
- A blue filter (provided with many test DVDs), for color level and tint adjustments.

Connect your test pattern source to the input that you are calibrating and proceed as follows.

Perform the adjustments in the order listed here.

Brightness: On your external test pattern source, select a PLUGE pattern. (PLUGE is an acronym for "Picture Line-Up Generation Equipment.") Figure 4-2 shows a typical PLUGE pattern.

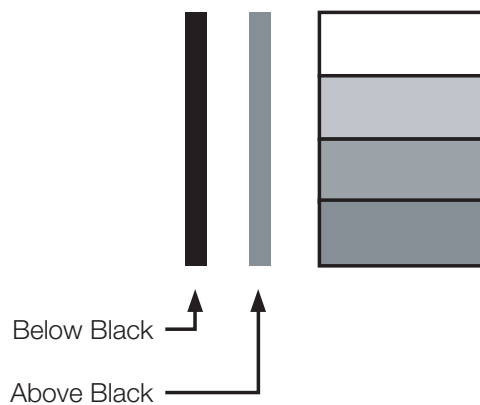


Figure 4-2. Typical PLUGE Pattern for Adjusting Brightness

PLUGE patterns vary but generally consist of some combination of black, white and gray areas against a black background. The example above includes two vertical bars and four shaded boxes.

Select Brightness from the Picture menu and press **ENTER**. Adjust the brightness so that:

- The darkest black bars disappear into the background.
- The dark gray areas are barely visible.
- The lighter gray areas are clearly visible.
- The white areas are a comfortable level of true white.
- The image contains only black, gray and white (no color).

Contrast: On your external test pattern source, select a stepped, gray-bar pattern like the one shown in Figure 4-3.

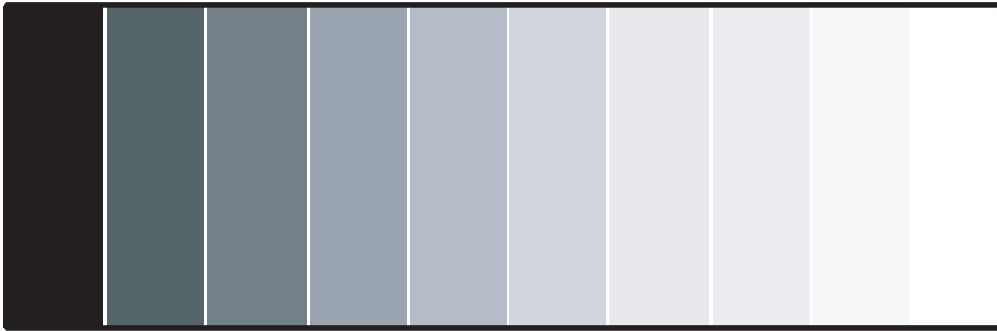


Figure 4-3. Typical Gray Bar Pattern for Adjusting Contrast

Select Contrast and press **ENTER**. Adjust the contrast to a point just below which the white rectangle starts to increase in size.



Note

Brightness and contrast controls are interactive. A change to one may require a subtle change to the other in order to achieve the optimum setting.

Color Saturation: On your external test pattern source, select a color bar pattern like the one shown in Figure 4-4.

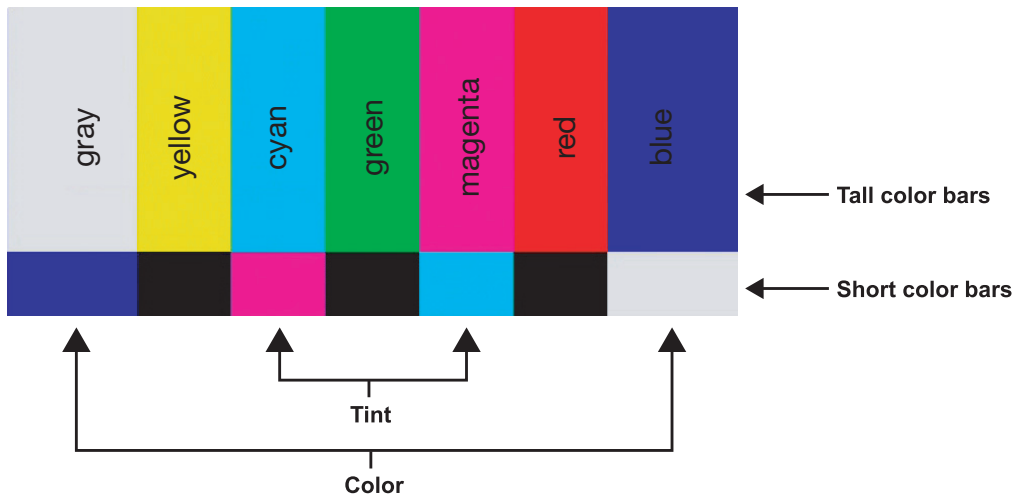
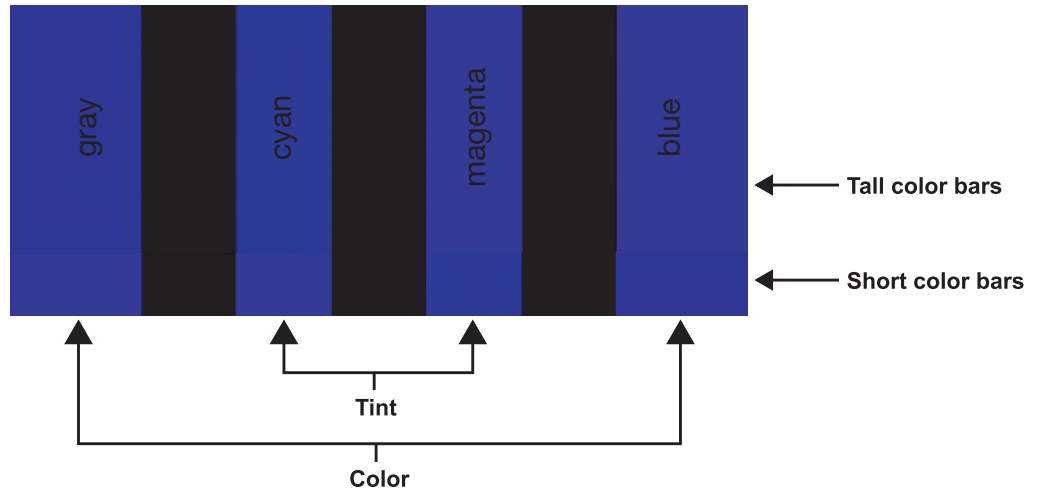


Figure 4-4. Typical Color Bar Pattern for Adjusting Color Saturation and Tint

Select Color and press **ENTER**. While looking at the color bar pattern through a blue filter, adjust the color saturation level until the outermost (gray and blue) color bars appear to be a single shade of blue:



Tint: Tint or “hue” is essentially the ratio of red to green in the color portion of the image. When tint is decreased, the image appears redder; when it is increased the image appears greener. To set the tint, select Tint and press **ENTER**. While looking at the color bar pattern through a blue filter, adjust the tint level until the cyan and magenta color bars (on either side of the green bar) appear to be a single shade of blue.



Note

Like the brightness and contrast controls, the color and tint controls are interactive. A change to one may require a subtle change to the other in order to achieve the optimum setting.

Sharpness: “Sharpness” is the amount of high-frequency detail in the image. To adjust sharpness, select Sharpness from the Picture menu and press **ENTER**. On your external test pattern source, select a pattern like the one shown in Figure 4-5. Adjust as needed, looking for white edges around the transitions from black to gray and differently-sized lines in the “sweep” patterns at the top and bottom. Lower the sharpness setting to eliminate them.

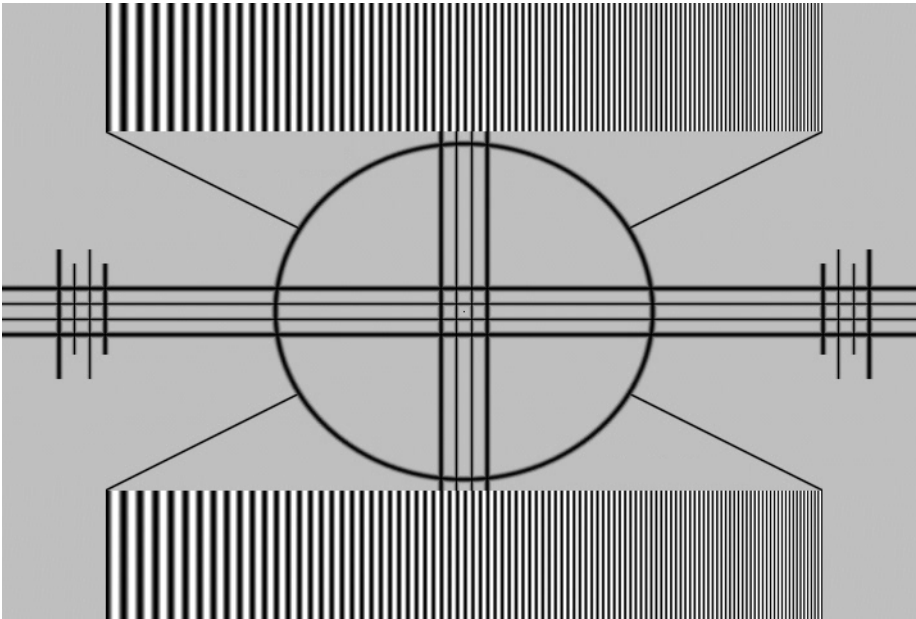


Figure 4-5. Typical Test Pattern for Adjusting Sharpness

Use the controls in the Input Position Menu to fine-tune the aspect ratio and image position for the current source.

◀ **Input Position**

Input Position
Left/Right
Up/Down
Width
Height
Overscan



Note

*When you change an input position setting, save the change to a preset afterwards. Otherwise, the change will be lost when a different input is selected. (The input position settings are saved for each input and resolution separately.) For information about saving settings, refer to **ISF Presets** on page 44.*

Left/Right: Select Left/Right from the Input Position menu to shift the projected image horizontally. Use the right or up cursor button to shift the image to the right; use the left or down button to shift it to the left.

Up/Down: Select Up/Down from the Input Position menu to shift the projected image vertically. Use the right or up cursor button to shift the image upward; use the left or down button to shift it downward.

Width: Select Width from the Input Position menu to change the projected image width. Use the right or up cursor button to increase the width; use the left or down button to decrease it.

Height: Select Height from the Input Position menu to change the projected image height. Use the right or up cursor button to increase the height; use the left or down button to decrease it.

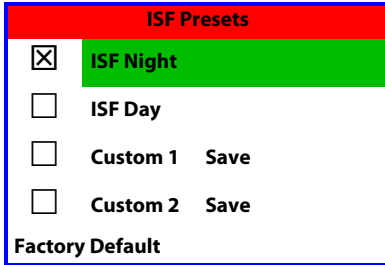
Overscan: Image Overscan pushes the outside edge of the active picture area of the video signal out beyond the edge of the display area.

Some television programs are produced based on the assumption that older television sets may not display the outer edges of the broadcast picture area. Overscan effectively trims away these inactive, outer edges and enlarges the remaining portion of the image to fill the display area.

Select from 1% to 10% of Overscan, as desired.

For HDTV, DVDs and other video sources, Overscan is generally not necessary or desirable.

ISF Presets ➤



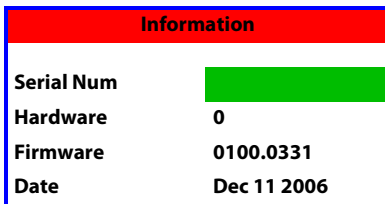
For each input, the Vision 85 lets you save image quality settings as presets that you can recall at a later time. You can create up to four presets per input and resolution. Use the ISF Presets menu to recall saved image presets, or to save image settings in the “Custom 1” or “Custom 2” memory location. The currently-selected preset is indicated by a “☒” to its left; in the example shown here, ISF Night is selected.

You should save changes to any of the following settings to a preset; otherwise they will be lost when a new input source or resolution is selected:

- Aspect ratio
- Picture quality settings (brightness, contrast, color saturation, tint and sharpness)
- Input position (image position, width, height and overscan percentage)

To reset the Custom 1 and Custom 2 image presets to their factory defaults, select Factory Default and press **ENTER**.

Information ➤



Select Information from the Main Menu to see information that uniquely identifies your projector: its serial number, the installed hardware and firmware versions and the firmware version build date. Should you ever need to contact Vidikron Technical Support, this information will help them answer your questions or resolve product performance issues.

Use the Calibration menu to perform advanced picture quality adjustments. **This menu should be used by ISF-certified technicians only.**

◀ **Calibration**

Calibration
ISF Night
Display Color
Input Image
Input Color
ISF Day
Display Color
Input Image
Input Color
Save ISF Settings
Output Shift
Splash Configure
OSD Position



Note

You must enter a passcode to access the Calibration menu.

To recall the ISF Night or ISF Day settings, do one of the following:

- Select "ISF Night" or "ISF Day" from the ISF Presets menu (see above);
- Press **ISF NT** or **ISF DAY** on the remote control; or
- From this menu, choose Display Color, Input Image or Input Color for the preset you want to recall.

ISF Night - Display Color: Use the Display Color settings to change the characteristics of the output signal. These settings are global (independent of any particular input).

- **Gain:** Use the Gain controls to correct color imbalances in the bright areas of the image. A good way to do this is to use a test pattern consisting mostly of solid white areas, such as an 80 IRE "window" pattern. If the white areas contain traces of red, green or blue, decrease the Gain for that color.
- **Gamma/Offset:** Use the Gamma and Offset controls in the White Balance sub-menu to correct color imbalances in the dark areas of the image.

A good way to do this is to use a test pattern consisting mostly of dark gray areas, such as a 30 IRE "window" pattern. If the gray areas contain traces of red, green or blue, decrease the Gamma or Offset for that color.



Tip

Adjust Gamma before Offset. Gamma provides coarse adjustment of low-lights; Offset provides finer adjustment.

- **Iris:** Select Iris from the Display Color Menu to increase or decrease the aperture or iris size (the physical opening through the lens; similar to an "f-stop" on a camera). Doing so allows you to optimize brightness and contrast according to the amount of ambient light in the viewing area.

Use a lower setting (0 or 1) for rooms with lots of ambient light. Use the higher setting (2) for more "theater-like" viewing conditions (little or no ambient light).

- **Color Temp:** Select Color Temp from the Display Color menu to adjust the color temperature. The default setting is appropriate for most situations. Higher settings produce a "bluer" picture.
- **Lamp Power:** Select Lamp Power from the Display Color menu to adjust the lamp output level. You can choose to run the lamp as bright as possible ("1") or you can choose the lower setting ("0"). Generally, lower lamp output can prolong the life of the lamp, but decreases brightness.

ISF Night - Input Image: The Input Image controls are similar to those in the Picture menu, but are accessible only by entering the Calibration menu passcode. This makes it possible to restore the picture quality settings to what they were when the projector was installed, simply by recalling the "ISF Night" preset.

ISF Night - Input Color: The Input Color controls are similar to those in the Display Color menu (see above), but can be set independently for each input.

- **Gain/Offset:** Refer to *ISF Night - Display Color*, above.
- **Chroma Delay:** use the Chroma Delay control to correct a mis-aligned image from a Composite, S-Video or Component video source. Chroma delay in an image causes color shifts to occur to the left of the vertical edge transitions, producing artificial shadows or a "halo" effect. If necessary, adjust this setting to eliminate them.
- **Phase:** Adjust the phase if the image (usually from an RGB source) shows shimmer or "noise." Pixel phase adjusts the phase of the pixel sampling clock relative to the incoming signal. The effect of this control is similar to that of a tracking control on a VCR.

For best results, use a good test pattern such as a smooth gray consisting of a clear pattern of black and white pixels, or a similar "half on, half off" graphic image. (You may notice that you can stabilize the image at more than one point. Use either setting in this case.)

- **Noise Filter:** Select Noise Filter from the Input Color menu to filter a noisy Composite, S-Video or Component source signal. Adjust as desired, keeping in mind that reducing noise (which reduces high frequencies) may also soften the image.

ISF Day - Display Color: Refer to *ISF Night - Display Color*.

ISF Day - Input Image: Refer to *ISF Night - Input Image*.

ISF Day - Input Color: Refer to *ISF Night - Input Color*.

Save ISF Settings: Whenever you make a change to the ISF settings, you should always save it. Select Save ISF Settings from the ISF Calibration menu to do this. In the event you ever have to perform a System Reset, you can restore the saved ISF settings by selecting Restore Saved Settings in the Service menu. (System Reset and Restore Saved Settings are described on page 50.)

Output Shift: The controls in the Output Shift menu are similar to those in the Input Position menu, except that they change the characteristics of the output signal (so the change is visible no matter which input is selected). You can set these controls independently for each aspect ratio.

To save the Output Shift settings for the current aspect ratio so that they can be restored after a System Reset (described on page 50), press ▼ repeatedly to highlight "Save." Then, press **ENTER**.

Splash Configure: Use the Splash Configure menu to customize the appearance of the start-up message that appears on the vacuum fluorescent display upon power-up.

- **Owner Name/ISF Calibrated/ISF Other:** You can have the Vision 85 display the owner's name, your name, the phrase "ISF Calibrated" and/or any other string, up to 20 characters in length.

Use the up or down cursor button to select a character. Use the right and left cursor buttons to change the cursor position. Press **MENU** when you have finished entering text. Then, check the "Splash Enable" box to have the Vision 85 display the information you enter here when it is turned on.

- **Vidikron/ISF Logo Splash Screen Timers:** When you turn on the Vision 85, it projects a welcome screen with the Vidikron logo followed by one with the ISF logo. Select Splash Timer from the Splash Configure menu to set the amount of time that these two images appear. The range is from 2 to 60 seconds, in one-second increments.

Use the up or down cursor button to select a timer value to adjust. Use the right or left cursor button to change the timer value. Press **MENU** when you have finished configuring both timers.

OSD Position: Select OSD Position, press **ENTER** and use the arrow buttons to change the size and position of the OSD controls.

Use the Service menu to access advanced projector configuration settings. **This menu should be used by ISF-certified technicians only.**



Note

You must enter a passcode to access the Service menu.

Test Video: Select Test Video from the Service Menu to access the internal test patterns on the Vision 85. Four patterns are available, consisting of white/gray or colored bars.

Press **MENU** to exit test pattern mode.

Input Names: You can give each VHD Controller input a descriptive name. For example, you may want to change the default input name to the type of source component connected to it: "VCR," "DVD," "Laptop" et cetera. Composite, S-Video and Component SD input names can be up to 12 characters long; the others can be up to eight characters long.

To edit an input name, select Input Names from the Service menu. Press **▲** or **▼** to select an input and press **ENTER**. Use the **▲** or **▼** buttons to change a character; press **◀** or **▶** to select a character to change. When you have finished editing the input name, press **MENU**.

To restore the default input name, press **▼** repeatedly to highlight that input name in the "Restore" column. Then, press **ENTER**.

To save input names so that they can be restored after a System Reset (described on page 50), press **▼** repeatedly to highlight "Save." Then, press **ENTER**.



Note

*The **▼** button takes you from top to bottom in the left column, then from top to bottom in the right column. To highlight "Save," scroll through both columns.*

◀ **Service**

Service
Test Video
Input Names
Remote Control
Analog Out Mode
Display Device
HD Format
Triggers
Miscellaneous
System Reset
Restore Saved Settings

Input Names	
	Restore
Composite	Composite
S Video 1	S Video 1
S Video 2	S Video 2
Component SD	Component SD
HD/RGB 1	HD/RGB 1
HD/RGB 2	HD/RGB 2
HDMI 1	HDMI 1
HDMI 2	HDMI 2
	Save

Remote Control: The Remote Control menu shows you the primary and secondary infrared (IR) codes to which the Vision 85 will respond. By default, both are set to 17. You can change these codes if either:

- Another device in the theater (a DVD player, for example) is responding to commands from the Vision 85/VHD remote control (Figure 2-5) in ways that are unpredictable or undesirable.
- You have multiple Vision 85 projectors and want to control them independently, as opposed to broadcasting commands from a single remote to all of them. In this scenario, you can use multiple remotes programmed to use different IR codes. Or, you can use a single remote and change the IR code as needed to address a specific projector.



Tip

Use the VHD Controller front-panel keypad to change the projector IR code. Then, change the code sent by the remote to match as described below.



Note

Do not change the "Type" setting in this menu.

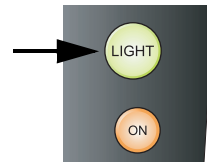
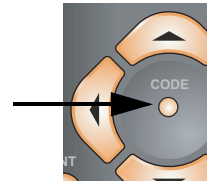
When you change a remote code on the Vision 85, you must re-program the Vision 85/VHD remote control to send that same code. To do this:

1. Using a straightened paper clip or similar object, press and hold the **CODE** button on the remote control for approximately three seconds, or until the LED on the remote lights solid red.

– OR –

If your remote control unit does not have a **CODE** button, press and hold the **LIGHT** button on the remote control for approximately three seconds, or until the LED on the remote lights solid red.

2. Enter a new two-digit code between 00 and 31 inclusive. Use the **16:9** button for "9" and the **4:3** button for "0." Include a leading zero for single-digit codes; for example, enter 9 as "09."
3. The LED turns off to confirm the code change. If you enter an invalid code, the LED flashes for three or four seconds. Try again, entering a valid code.



Display Device: The options in the Display Device menu allow you to change the picture orientation, adjust the amount of overscan and access other projector-specific functions.

- **Configure:** Select Configure from the Display Device menu. Then:
 - **Orientation:** Select Orientation to change the picture orientation to suit the method of installation (Floor Front, Floor Rear, Ceiling Front or Ceiling Rear).
 - **Overscan:** Refer to **Overscan** on page 43.
 - **Fan Mode:** If the projector is being used in a high-altitude environment, use the Fan Mode control to prevent it from overheating. Set it to High Altitude ("1") to run the fan at high speed; set it to Normal ("0") to run the fan at normal speed.
 - **Height:** Select Height from the Display Device menu to adjust the displayed image height in small increments. Higher values **compress** the height. **This setting affects all sources.**



Note

Use this control to fine-tune the image geometry on a Vision 85/CineWide. (It should not be necessary to change this setting on a standard Vision 85.)

- **Lamp Hours:** To display the number of hours that the lamp has been in service, press ▲ or ▼ to highlight Lamp Hours.

HD Format: If the characteristics of the incoming signal on the HD1 or HD2 inputs are known, select HD Format from the Service menu and set them as described below. Doing so can reduce the time it takes the VHD Controller to switch from HD to 480i signals or vice versa.

This is generally not necessary unless the VHD Controller – for whatever reason – has difficulty determining the color space (RGB or YUV), bandwidth or resolution of the incoming HD signal. In most situations, the **Auto** settings work well.

- **HD/RGB 1 and HD/RGB 2 (Color Space):** Select Auto, RGB or YUV.
- **ADC Bandwidth:** Select Auto, 75 MHz, 150 MHz or 300 MHz.
- **YPbPr Input Resolution:** Select Auto or specify the input resolution, if known: 480i, 480p, 576i, 576p, 720p or 1080i.

Triggers: Select Triggers from the Service menu to configure the 12-volt trigger outputs. You can assign one or more trigger outputs to each aspect ratio. Those triggers are then activated by selecting that aspect ratio.

To save the trigger settings so that they can be restored after a System Reset (described below), press ▼ repeatedly to highlight "Save." Then, press **ENTER**.

HD Format	
HD/RGB 1	Auto
HD/RGB 2	Auto
ADC Bandwidth	Auto
YPbPr Input Resolution	

Miscellaneous: Select Miscellaneous from the Service menu to set the following options:

- **Language:** Select Language from the Miscellaneous menu and press the up- or down-arrows to select the OSD Language. (Currently, only English is supported.)
- **Menu Mode:** This is the manner in which the OSD menus appear and disappear when you press **MENU**. Choose one of the following:
 - 0 = No transition; menus abruptly appear and disappear.
 - 1 = Menus fade in and out.
 - 2 = “Checkerboard” dissolve; menus appear and disappear in sections.
 - 3 = “Window shade” effect; menus are drawn on a diagonal from top left to bottom right, and retract in the opposite direction.
- **Timeout - Short/Long:** These settings control how long the OSD menus stay on screen. Select a time-out period of from 2 to 60 seconds.
- **Side Bar Color:** This controls the color of the inactive image area. The range is from -100 (black) to 100 (white).

The inactive image area is on either side of the active image area when using the 4:3 aspect ratio (or the entire screen when no incoming video signal is present).

- **Film Mode:** Enable Film Mode to smooth out moving images from interlaced, standard-definition (SD) sources. In most cases, the Vision 85 detects the proper “pull-down” rate and vertical frequency. However, if your source is jittery and/or tearing you may wish to enable Film Mode to ensure stable processing for that source.

System Reset: To reset ALL controller settings (including image settings) back to their factory defaults, choose System Reset from the Service menu.

A confirmation message appears, reminding you to save your settings before you perform the reset, so that you can restore them afterwards. If you have done this, select Confirm to continue with the reset. Otherwise, click Back to cancel.



Caution

This action is not undoable. Proceed with caution! Before you perform a System Reset, save ALL settings, including “Custom” ISF Presets (page 44), ISF Day/Night presets (page 46), Output Shift settings (page 46), Input Names (page 47) and Trigger settings (page 49).

Restore Saved Settings: Following a System Reset, select Restore Saved Settings to apply all previously-saved settings to the projector and VHD Controller.

After you have finished calibrating the projector to optimize the display of 1080i analog and lower-resolution sources, do likewise for 1080i digital and 1080p sources (connected to the HDMI 1 or HDMI 2 inputs on the VHD Controller).

When the projector receives a 1080i digital and 1080p signal, it displays the menus shown in Figure 4-6.

4.3 On-Screen Menus for 1080i (Digital) or 1080p Signals

Picture Adjust	Picture Memory	Standard, Black Enhance, White Enhance, ISF Day, ISF Night or Custom
	Contrast	-90, -89, ... 0 ... +89, +90
	Brightness	
	Color	
	Tint	-30, -29, -28 ... 0 ... +28, +29, +30
	Sharpness	
	Color Temp.	5500, 6500, 7500, 8500, 9300 or 10500
	White Balance	Standard, Black Enhance, White Enhance, ISF Day, ISF Night or Custom
	VAC: Iris	High Brightness, Theater or CRT Emulation
	Lamp Power	220W (Hi) or 180W (Low)
Picture Adjust (Advanced)	ICC Adjust	Hue
		Saturation
		Intensity
		Default
		Red
		Yellow
		Green
		Cyan
		Blue
		Magenta
	Default	
	Brilliant Color™	On/Off
	SD Advanced Mode	(N/A)
	Film Mode	
	Video NR	
MNR	Off, 1, 2 or 3	
Sharpness Enhancement		
Automatic Contrast		
Default	Yes or No	
White Balance	Mem. Select	Standard, Black Enhance, White Enhance, ISF Day, ISF Night or Custom
	Red Gamma	
	Green Gamma	
	Blue Gamma	
	Red Gain	
	Green Gain	-30, -29, -28 ... 0 ... +28, +29, +30
	Blue Gain	
	Red Offset	
	Green Offset	
	Blue Offset	
Default	Yes/No	

HD/RGB Adj.	Frequency	
	Phase	
	H-Shift	(N/A)
	V-Shift	
	Default	
Options	Special Mode	
	Signal Info (read-only)	Format (480i ... 1080p), H/V Frequency
	Auto Setup	(N/A)
	Image Shift	-30, -29, -28 ... 0 ... +28, +29, +30 (available only with certain 1080i signals)
	Subtitle	
	Overscan	0, 1%, 2% ... 10%
	Default	Yes or No
	Adjust White Level	
	Adjust Black Level	(N/A)
	LED	On or Off
	Lamp Hours (read-only)	Hours in use / percentage of life remaining
	OSD	On or Off
	Signal Type	Auto, RGB, YCbCr4:4:4 or YCbCr4:2:2
	Color Space	Auto, ITU601 or ITU709
	HDMI Black Level	Auto, 0 IRE or 7 IRE
Language	Background	Vidikron Logo, Blue or Black
	Power Save	RS-232C Port (On or Off) Auto Power Off (On or Off)
	Baud Rate	9600, 38400 or 115200 bps
	Fan Mode	Normal or High Altitude
	Orientation	Floor Front, Ceiling Front, Floor Rear or Ceiling Rear
	Factory Default	All Reset or Return
	English	
	Deutsch	
	Español	
	Français	
Italiano		

Figure 4-6. OSD Menu Structure for Vision 85 (1080i Digital or 1080p Sources)

Main Menu ➤ Press **MENU** on either the remote control or built-in keypad (on the projector rear panel) to display the Main Menu, shown in Figure 4-7. The Main Menu is the starting point for calibrating the Vision 85 to optimize the display of digital 1080i and 1080p sources.

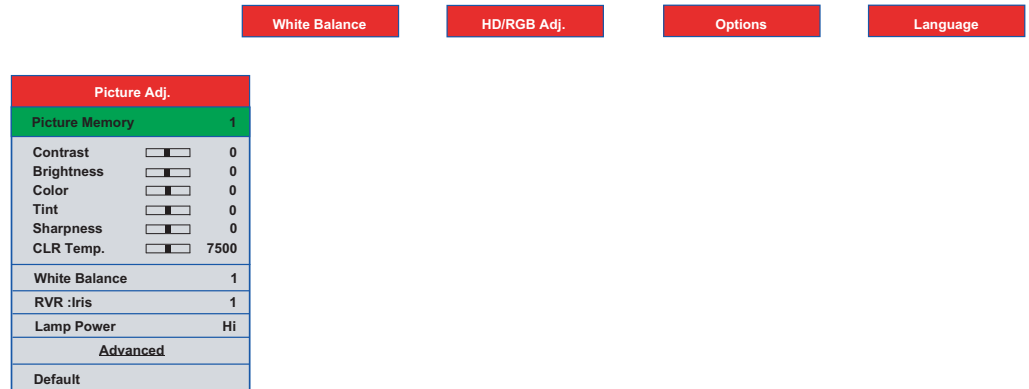


Figure 4-7. Vision 85 Main Menu (1080i Digital or 1080p Sources Only)

To use the on-screen menus:

1. Press ◀ or ▶ to select a sub-menu.
2. Press ▲ or ▼ to select a sub-menu item.
3. For items that present a list of choices, such as Picture Memory:
 - a. Press **ENTER** or ▶.
 - b. Press ▲ or ▼ to select a value from the list.
 - c. Press **ENTER** again to confirm your selection.
 - d. Press ◀ to return to the menu.

– OR –

For items that are represented by numeric values, such as Contrast:

- a. Press ◀ or ▶ to adjust the value.
 - b. Press ▲ or ▼ to select another menu item.
- OR –
- a. Press **ENTER** to hide the “parent” menu and display only the sidebar for that item.
 - b. Press ◀ or ▶ to adjust the value.
 - c. Press ▲ or ▼ to select another item to adjust or **ENTER** to return to the menu.



4. To switch from one sub-menu to another (for example, Picture Adjust to White Balance), press ▲ repeatedly until no menu item is highlighted. Then, press ◀ or ▶.
5. Press **MENU** to hide the OSD menus.

The Vision 85 OSD language is initially set to English, but can also display the menus in German (Deutsch), Spanish (Español), French (Français) or Italian (Italiano). To change the OSD language:

1. Press **MENU**.
2. Press ◀ or ▶ to select **Language** from the Main Menu.
3. Press up- or down-arrow button (▲ or ▼) to highlight the desired language and press **ENTER**. The change takes effect immediately.

◀ **Language**

Language	
English	
Deutsch	
Español	
Français	
Italiano	

To perform basic picture quality adjustments, select Picture Adjust from the Main Menu and proceed as follows:

Picture Memory: The Vision 85 lets you save image quality settings as presets that you can recall at a later time. For digital 1080i and 1080p sources, you can create up to six presets.

To recall and/or change the settings associated with a preset, select Picture Memory from the Picture Adjust menu. Press ▶, then press ▲ or ▼ until your choice is highlighted. To confirm your selection, press **ENTER**.

The default settings for each preset are described in Table 4-2. Contrast, Brightness, Color, Tint and Sharpness are all set to zero (0) by default. These provide convenient starting points for calibrating the projector to suit different viewing environments. Any picture quality adjustments you make here are stored in the currently-selected preset.

◀ **Picture Adjust**

Picture Adj.	
Picture Memory	1
Contrast	0
Brightness	0
Color	0
Tint	0
Sharpness	0
CLR Temp.	7500
White Balance	1
VAC :Iris	1
Lamp Power	Hi
Advanced	
Default	

Table 4-2. Default Picture Memory Settings for Digital 1080i and 1080p Sources

Picture Memory Setting	Description	Default Settings for Selected Picture Memory					Remote Control Key
		Color Temp.	VAC (Iris)	Lamp Power	Sharpness Enhancement	Auto Contrast	
Standard or Custom	Provides good picture quality under the widest variety of viewing conditions.	7500	High Brightness	Hi (220W)	Off	Off	-
Black Enhance	Similar to "Standard" mode, but with enhanced black levels.	7500	CRT Emulation	Hi (220W)	Off	1	CUST 1
White Enhance	Similar to "Standard" mode, but with enhanced white levels.	7500	High Brightness	Hi (220W)	1	Off	CUST 2
ISF Day	For viewing images with the brightness slightly decreased in a darkened room.	6500	Theater	Low (180W)	Off	Off	ISF DAY

Table 4-2. Default Picture Memory Settings for Digital 1080i and 1080p Sources (continued)

Picture Memory Setting	Description	Default Settings for Selected Picture Memory					Remote Control Key
		Color Temp.	VAC (Iris)	Lamp Power	Sharpness Enhancement	Auto Contrast	
ISF Night	For viewing images with the brightness slightly increased in a darkened room.	6500	CRT Emulation	Low (180W)	Off	Off	ISF NIGHT

Contrast: Refer to **Contrast** on page 41.

Brightness: Refer to **Brightness** on page 40.

Color: Refer to **Color Saturation** on page 41.

Tint: Refer to **Tint** on page 42.

Sharpness: Refer to **Sharpness** on page 43.

Color Temp.: To adjust the color temperature, select Color Temp. from the Picture Adjust menu. (Color temperature defines the “color of gray.”) Press ◀ or ▶ to select 5500, 6500, 7500, 8500, 9300 or 10500. In most cases, 6500 or 7500 will produce the most realistic colors. Higher settings produce a “bluer” picture; lower ones cause the image to appear more red.

White Balance: Select White Balance from the Picture Adjust menu to choose a white balance preset (or “gamma curve”) to store in the currently-selected picture memory. For more information on white balance presets, refer to **White Balance** on page 56.

VAC: Iris: Select VAC: Iris from the Picture Adjust menu to increase or decrease the aperture or iris size (the physical opening through the lens; similar to an “f-stop” on a camera). Doing so allows you to optimize brightness and contrast according to the amount of ambient light in the viewing area.

Select High Brightness or Theater for rooms with lots of ambient light. Select CRT Emulation for more “theater-like” viewing conditions (little or no ambient light).

Lamp Power: Select Lamp Power from the Picture Adjust menu to adjust the lamp output level. You can choose to run the lamp as bright as possible (220W; this is the default setting) or you can choose the lower setting (180W). Generally, lower lamp output can prolong the life of the lamp, but decreases brightness.

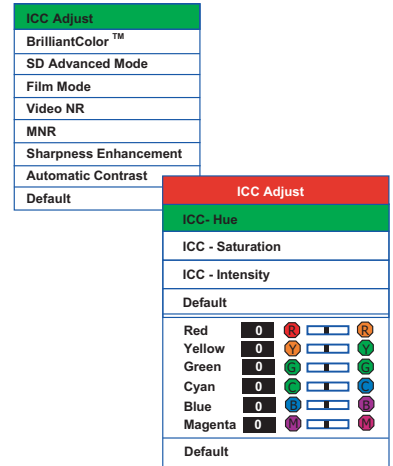
To access advanced picture quality settings, select Advanced from the Picture Adjust menu. This sub-menu presents the following options:

◀ **Picture Adjust (Advanced)**

ICC Adjust: Select ICC Adjust from the Advanced Picture Adjust menu to customize the displayed color space. The adjustments you make here are stored in the currently-selected "Picture Memory" preset.

For each of the six primary colors – red, yellow, green, cyan, blue and magenta – you can adjust the following:

- **Hue:** These sliders adjust the red/green color hue for true color reproduction of video signals. For best results, adjust the hue while displaying an external color bar test pattern (Figure 4-4).



Changing the hue of a primary color affects the gamut (range) of possible colors. For example, changing the value for red moves the color closer to either yellow or magenta, which in turn affects all displayed colors having a red component.

Table 4-3 describes the effects of adjusting the primary color hues.

Table 4-3. Effects of Primary Color Hue Adjustments

Primary Color	Press ◀ to move the color...	Press ▶ to move the color...
Red	Closer to magenta	Closer to yellow
Yellow	Closer to red	Closer to green
Green	Closer to yellow	Closer to cyan
Cyan	Closer to green	Closer to blue
Blue	Closer to cyan	Closer to magenta
Magenta	Closer to blue	Closer to red

- **Saturation:** This slider adjusts the color saturation level – the *amount* of that color in a video image. Lower settings produce less saturated colors; a setting of “-30” removes that color from the image entirely. If the saturation is too high, that color will be overpowering and unrealistic.
- **Intensity:** This slider adjusts the intensity – also known as *luminance* – of a given color.
- **Default:** To reset ALL ICC settings – Hue, Saturation AND Intensity of all six colors – for the currently-selected “Picture Memory” preset to their factory-default values, select Default (directly below the “Intensity” menu item) from the ICC Adjust menu. Then, select Yes to confirm the reset.

To reset only the Hue, Saturation OR Intensity of all six colors for the currently-selected “Picture Memory” preset to their factory-default values, select Hue, Saturation or Intensity from the ICC Adjust menu and press **ENTER**. Then, select Default (the last menu item) from the ICC Adjust menu. Then, select Yes to confirm the reset.

Brilliant Color™: Select Brilliant Color™ from the Advanced Picture Adjust menu to change the BrilliantColor setting. BrilliantColor utilizes a new color-processing algorithm and system level enhancements to enable higher picture brightness while providing truer, more vibrant colors. To enable BrilliantColor, set it to On; to disable it, set it to Off.

Video NR: To apply noise reduction to the input signal, select Video NR from the Advanced Picture Adjust menu. Noise reduction is useful for improving the signal-to-noise ratio of video signals. Set it to Off, 1, 2 or 3, as needed, keeping in mind that higher settings (which reduce high frequencies) may also “soften” the image.

MNR: Select MNR from the Picture Adjust menu to reduce or eliminate so-called “mosquito noise” in MPEG-compressed video signals (digital broadcasts or DVDs). Set it to Off, 1, 2 or 3, as needed to minimize distortion around the edges of moving objects, moving artifacts around edges and/or blotchy noise patterns superimposed over the objects.

Sharpness Enhancement: select Sharpness Enhancement from the Advanced Picture Adjust menu to apply edge enhancement to images, giving the impression of added depth. Set it to Off, 1, 2, or 3 as desired.

Automatic Contrast: The Vision 85 can dynamically adjust the contrast (white level) according to the color content in the signal, to produce the best picture quality. Select Automatic Contrast from the Picture Adjust menu to activate this feature. Set it to Off, 1, 2, or 3 as desired. Selecting “3” results in a higher average white level than the other settings.

Default: To reset all picture quality settings for the current input to their factory-default values, select Default from the Picture menu.

White Balance ➤

The Vision 85 provides nine adjustable white balance parameters, allowing precise adjustment of the intensity of the red, blue and green color components in the dark areas (Offset), light areas (Gain) and “mid-tone” areas (Gamma).

White Balance		
Mem. Select		1
Gamma		
Red Gamma	<input type="text"/>	0
Green Gamma	<input type="text"/>	0
Blue Gamma	<input type="text"/>	0
Gain		
Red Gain	<input type="text"/>	0
Green Gain	<input type="text"/>	0
Blue Gain	<input type="text"/>	0
Offset		
Red Offset	<input type="text"/>	0
Green Offset	<input type="text"/>	0
Blue Offset	<input type="text"/>	0
Default		

You can adjust these parameters as needed and store them in any of six presets (memory locations). The selected white balance preset can, in turn, be associated with a “Picture Memory” preset (refer to **White Balance** on page 54). The most logical way to do this is to associate a white balance preset with the picture memory preset of the same name; however, you can associate a white balance preset with any picture memory preset.

Mem. Select: To select and edit a white balance preset, select Mem. Select from the White Balance menu.

Red Gamma/Green Gamma/Blue Gamma: Refer to *ISF Night - Display Color* on page 45.

Red Gain/Green Gain/Blue Gain: Refer to *ISF Night - Display Color* on page 45.

Red Offset/Green Offset/Blue Offset: Refer to *ISF Night - Display Color* on page 45.

Default: To reset the Gamma, Gain and Offset settings for the currently-selected white balance preset to their factory-default values, select Default from the White Balance menu. Then, select Yes to confirm the reset.

Select HD/RGB Adj. from the Main Menu to view input signal resolution and timing information. To do this, select Signal Info from the HD/RGB Adj. menu.

Signal Info: Select Signal Info from the HD/RGB Adj. menu to display the resolution, horizontal frequency and vertical frequency of the input current signal.

◀ **HD/RGB Adj.**

HD/RGB Adj.		
Frequency	0	<input type="text"/>
Phase	0	<input type="text"/>
H-Shift	0	<input type="text"/>
V-Shift	0	<input type="text"/>
Default		
Special Modes		
Signal info		
Auto Setup		

Select Options from the Main Menu to perform the following projector configuration tasks.

Image Shift: Select Image Shift from the Options menu to vertically shift the projected image.

Subtitle: Select Subtitle from the Options menu to adjust the projected image height in small increments.

◀ **Options**

Options		
Image Shift	<input type="text"/>	0
Subtitle	<input type="text"/>	0
Overscan	+ <input type="text"/>	- 5%
Default		
Adjust White Level	0	
Adjust Black Level	0	
LED	On	
Lamp Hours		
OSD	On	
Signal Type	3	
Color Space	Auto	
HDMI Black Level	0	
Background	<input type="checkbox"/>	
Power Save		
Baud Rate	9600 bps	
Fan Mode	2	
Orientation	FF	
Factory Default		



Note

Image Shift and Subtitle can only be adjusted for certain 1080i signals.

Overscan: Refer to **Overscan** on page 43.

Default: To reset the Overscan setting to its default value, select Default from the Options menu, then select Yes to confirm the reset.

LED: Select LED from the Options menu to change the behavior of the projector’s indicator LEDs.

- When set to ON, the LEDs indicate operating status as described in **VX-2000d at a Glance** on page 5.



Note

*When you set the Auto Power Off function (refer to **Power Save**, below) to Off, the LED function is automatically set to On.*

- When set to OFF, the LEDs illuminate when the Vision 85 is in standby mode, warming up or indicating an error condition; otherwise, they are off.

Lamp Hours (read-only): Refer to **Lamp Hours** on page 49.

OSD: When you select an aspect ratio or input with the remote control (or from the VHD Controller), the Vision 85 displays your selection on-screen. To prevent the display of these items, select OSD from the Options menu and set it to Off.

Signal Type: Select Signal Type from the Options menu to specify the incoming signal type (encoding method):

- Choose Auto to have the Vision 85 automatically detect the signal type.
- Choose RGB (1) for RGB-encoded video signals.
- Choose YCrCb4:4:4 (2) for uncompressed, component video. This encoding method uses a “luminance” signal (Y) to represent brightness and “difference” signals (Cb and Cr) to represent colors.
- Choose YCrCb4:2:2 (3) for compressed, component video (similar to YCrCb4:4:4).

In most situations, selecting Auto produces the most accurate colors. If it does not, try the other choices and select the one that does.

Color Space: “Color Space” determines how the color components of an analog input signal are decoded for accurate color in the display. Select Color Space from the Options menu to specify the color space to use. In most situations, selecting Auto produces the most accurate colors. If it does not, try the other choices and select the one that does.

HDMI Black Level: This control compensates for incoming elevated black levels present in certain video signals. When you set it to Auto, the Vision 85 automatically determines the best setting according to the incoming video signal type. For some types of video, you may want to override the setting. Set it to 0 IRE if blacks appear elevated (dark gray). If blacks appear “crushed” (too dark), set it to 7 IRE.

Background: Select Background from the Options menu, then press ▲ or ▼ to select the image background – solid blue, solid black or the Vidikron logo welcome screen. The Background appears when no incoming signal is present.

Power Save: Select Power Save from the Options menu to access the power management features of the Vision 85.

- **RS-232C Port:** When this option is set to On, the RS-232 port is always active and using power, even when the projector is in standby mode. When set to Off, the RS-232 port is inactive and does not consume power when the projector is in standby mode.



Caution

Always set this option to On. Doing otherwise may disrupt communication between the projector and VHD Controller.

- **Auto Power Off:** When this option is set to On, the projector enters standby mode after 15 minutes of inactivity (no input signal). Five minutes before this is to occur, the message “Enter STANDBY mode in 5 min.” appears on-screen. This message updates to indicate the amount of time before the projector enters standby mode.

When set to Off, the projector remains in the “power on” state regardless of the presence or absence of an input signal.



Note

When you set the Auto Power Off function to Off, the LED function (refer to 4-57) is automatically set to On.

Baud Rate: Select Baud Rate from the Options menu, then press the ▲ or ▼ button to change the data rate of the RS-232 connection between the projector and the VHD Controller. The default setting is 9600 bps. **Do not change it unless specifically instructed to do so by Vidikron Technical Support.**

Fan Mode: If the projector is being used in a high-altitude environment, use the Fan Mode control to prevent it from overheating. Set it to High Altitude (2) to run the fan at high speed; set it to Normal (1) to run the fan at normal speed.

Orientation: Refer to *Adjusting the Picture Orientation* on page 32.

Factory Default: To reset all projector settings (including image settings) back to their factory defaults, choose Factory Default from the Options menu. When the confirmation message appears, select **All Reset** to perform the reset or **Return** to cancel. **This action is not undoable. Proceed with caution!**

**Note**

The Factory Default command does not reset the Lamp Timer or OSD Language setting.

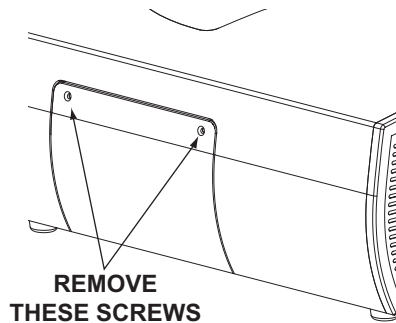
Notes:

Maintenance and Troubleshooting

The lamp should be replaced when it reaches the end of its life (typically 2000 hours), or sooner if a noticeable degradation in brightness occurs. Contact your Vidikron dealer to obtain a replacement lamp.

5.1 Lamp Replacement

1. Turn off the projector and unplug the power cord. Allow the projector to cool down for approximately 45 minutes prior to removing the lamp assembly for replacement.
2. Using a Phillips screwdriver, loosen the two Lamp Cover screws on the side of the projector and remove the cover.



3. Remove the three Phillips round-head lamp assembly mounting screws. These are identified by arrows pointing to them on the lamp housing.
4. Grasp the lamp assembly handle and pull gently, removing the lamp module from the projector housing.
5. Install the new lamp module. Secure it in place with the three screws that you removed in Step 3.
6. Replace the lamp cover and re-tighten the two Lamp Cover screws.
7. Re-connect the AC power cord to the projector.
8. Reset the Lamp Hour counter by doing either of the following:
 - **On the projector rear-panel keypad (see Figure 2-6)**, press and hold the **ENTER**, **DOWN** and **RIGHT** buttons simultaneously. Then, press the **ON** button.
 - **On the VHD Controller front panel (see Figure 2-3)**, while pressing and holding the **ENTER** button, press the **POWER** (Ⓜ) button.

When you do, "LAMP 0000H" appears on-screen to confirm the counter reset.



Note

*Always reset the Lamp Hour counter when you replace the lamp. Do this **only** if you have just installed a new lamp. This will ensure that number of hours logged on the lamp is accurate.*

5.2 Troubleshooting Tips

Table 5-1 provides some general guidelines for troubleshooting problems you may encounter with the Vision 85.

If you encounter an issue not described here or in Section 3 (refer to **Installation Considerations** on page 18), or if the suggested solutions fail to resolve the problem, please contact your Vidikron dealer or Vidikron Technical Support.

Table 5-1. Troubleshooting Chart

Symptom	Possible Cause(s)	Solution
The projector does not turn on after initial installation. The power LED on the front of the VHD Controller lights red after you press the power button.	<ul style="list-style-type: none"> The Vision 85 is not plugged in or the AC outlet is not active. The serial connection from the VHD Controller to the Vision 85 is incorrect. The remote control batteries have run out. 	<ul style="list-style-type: none"> Ensure that the Vision 85 is plugged in and that the AC outlet is active. Ensure that the RS-232 output from the VHD Controller is properly connected to the RS-232C port on the Vision 85 (see Figure 3-6). Replace the batteries.
The projector and VHD Controller are both on, but there is no picture and on-screen menus do not appear.	<ul style="list-style-type: none"> Faulty or incorrect video connection between the VHD Controller and the Vision 85. 	<ul style="list-style-type: none"> Ensure that the HDMI output from the VHD Controller is properly connected to the HDMI input on the Vision 85 (see Figure 3-6).
The projector and VHD Controller are both on and menus appear on-screen, but there is no picture.	<ul style="list-style-type: none"> Incorrect source selection. Source component is not turned on. Source component is connected incorrectly or not at all. 	<ul style="list-style-type: none"> Select the correct source. Turn on the source. Check video connections to source component.
A projected image from a DVD is split or otherwise scrambled.	<ul style="list-style-type: none"> DVD player is connected to the Component input and set to progressive scan mode. 	<ul style="list-style-type: none"> Turn off progressive scan on the DVD player. Or, connect the DVD player to the HD1 or HD2 input.
Image is too bright and/or lacks definition in the bright areas of the image.	<ul style="list-style-type: none"> Contrast is set too high. 	<ul style="list-style-type: none"> Lower the contrast setting.
Image appears "washed out" and/or dark areas appear too bright.	<ul style="list-style-type: none"> Brightness is set too high. 	<ul style="list-style-type: none"> Lower the brightness setting.
Colors in the image are swapped (for example, reds appear blue or vice versa) on one or more sources.	<ul style="list-style-type: none"> The Red/Pr, Green/Y or Blue/Pb outputs from the source are connected to the wrong inputs on the VHD Controller. 	<ul style="list-style-type: none"> Ensure that the source outputs are connected to the correct VHD Controller input.

Table 5-1. Troubleshooting Chart (continued)

Symptom	Possible Cause(s)	Solution
Image geometry is incorrect.	<ul style="list-style-type: none"> • Incorrect aspect ratio selection. • Image height may need adjusting (Vision 85/CineWide only). 	<ul style="list-style-type: none"> • Select the aspect ratio that best matches the source image and screen size (refer to Table 4-1). • Adjust displayed image height (refer to Display Device on page 49).
The projected image is trapezoidal in shape.	<ul style="list-style-type: none"> • The projector is not perpendicular to the screen. 	<ul style="list-style-type: none"> • Adjust the projection angle.
The projector will not turn back on after it was powered down, or the image disappears during operation.	<ul style="list-style-type: none"> • The projector will not turn on for two minutes after power-down, to protect the lamp. • The lamp has failed or reached its usage limit of 2000 hours. 	<ul style="list-style-type: none"> • Wait two minutes until the LED at the front of the VHD Controller turns red. • Replace the lamp.

Notes:

Serial Communications

To interface the VHD Controller with a home theater automation/control system or a PC running terminal emulation software, connect it to your control system or PC as shown in Figure 3-11.

Configure the RS-232 controller or PC serial port as follows: no parity, 8 data bits, 1 stop bit and no flow control. Set the baud rate to 19200, to match that of the VHD Controller RS-232 port.

Serial commands to the VHD Controller take the following form:

- Commands are not case-sensitive.
- For a single command that takes no parameters, type the command followed by a carriage return; for example, to set the aspect ratio to Letterbox, type `LETTERBOX <Enter>`.
- For a single command that takes a parameter, type the command, a space or a comma and the desired value followed by a carriage return; for example, to set the brightness to -10, type `BRIGHTNESS -10 <Enter>` or `BRIGHTNESS, -10 <Enter>`.
- You can also send a string of multiple commands on a single line, separated by commas. For example, `COMPOSITE, BRIGHTNESS 100, ANAMORPHIC <Enter>` switches to the Composite video input, sets the brightness to 100 and sets the aspect ratio to Anamorphic. Command strings can be up to 255 characters long.



Note

Avoid combining the `ON` or `POWER 1` commands with other commands on a single line. After sending `ON` or `POWER 1`, allow at least 15 seconds for the VHD Controller to power up. Once it does, it will accept and properly execute multiple serial commands.

Table 6-1 lists the RS-232 command set. The “Parameter (min/max)” column shows the valid parameter ranges, or “NA” for commands that take no parameters.

When you enter a valid command, the VHD Controller executes it and acknowledges it with a plus sign on the command line (+ >). When you enter an invalid command – one that is misspelled or followed by values outside the valid range for that command – the VHD Controller ignores it and returns a minus sign (- >).

Table 6-1. Serial Commands

Command	Parameter (min/max)	Value Stored?	Description
Power On/Off Commands			
OFF	NA	NA	Turns projector off
ON	NA	NA	Turns projector on
POWER	0/1	NA	Turns projector on and off
POWER?	NA	NA	Returns power status

6.1 RS-232 Connection and Port Configuration

6.2 Serial Command Syntax

Table 6-1. Serial Commands (continued)

Command	Parameter (min/max)	Value Stored?	Description
Input Selection Commands			
COMPONENT	NA	YES	Selects the Component input
COMPOSITE	NA	YES	Selects the Composite video input
HDMI1	NA	YES	Selects the HDMI 1 input
HDMI2	NA	YES	Selects the HDMI 2 input
HD1	NA	YES	Selects the HD 1 input
HD2	NA	YES	Selects the HD 2 input
INPUT?	NA	NA	Returns active input
SVIDEO1	NA	YES	Selects the S-Video 1 input
SVIDEO2	NA	YES	Selects the S-Video 2 input
Aspect Ratio Commands			
ANAMORPHIC	NA	YES	Selects the Anamorphic aspect ratio
16:9			
ASPECT?	NA	NA	Returns current aspect ratio
ASPECTIN?	NA	NA	Returns the input source aspect ratio
ASPECTOUT?	NA	NA	Returns output screen size
CINEMA	NA	YES	Selects the Cinema aspect ratio
LETTERBOX	NA	YES	Selects the Letterbox aspect ratio
STANDARD	NA	YES	Selects the Standard (4:3) aspect ratio
4:3			
INTELLIWIDE	NA	YES	Selects the IntelliWide aspect ratio
INTELLI235	NA	YES	Selects the IntelliWide 2.35 aspect ratio (available only on the Vision 85/CineWide and only on the analog inputs)

Table 6-1. Serial Commands (continued)

Command	Parameter (min/max)	Value Stored?	Description
Picture Adjust Commands (not available on HDMI 1 or HDMI 2 inputs)			
BRIGHTNESS	-100/100	YES	Sets a value for brightness
BRIGHTNESS?	NA	NA	Returns brightness setting value
CHROMADELAY	-12/12	YES	Sets a value for input color chroma delay
CHROMADELAY?	NA	NA	Returns input color chroma delay setting
COLOR	-100/100	YES	Sets a value for color
COLOR?	NA	NA	Returns color setting value
CONTRAST	-100/100	YES	Sets a value for contrast
CONTRAST?	NA	NA	Returns contrast setting value
FILMMODE	0/1	YES	Sets Film Mode off (0) or on (1)
FILMMODE?	NA	NA	Returns Film Mode setting (0 = off; 1 = on)
FILTER	0/15	YES	Sets a value for input color noise filter
FILTER?	NA	NA	Returns input color noise filter setting
PHASE	0/3	YES	Adjusts phase
PHASE?	NA	NA	Returns phase setting value
SHARPNESS	-6/6	YES	Sets a value for sharpness
SHARPNESS?	NA	NA	Returns sharpness setting value
TINT	-100/100	YES	Sets a value for tint
TINT?	NA	NA	Returns tint setting value
Image Preset Commands (not available on HDMI 1 or HDMI 2 inputs)			
CUSTOM1	NA	YES	Loads "Custom 1" image preset
CUSTOM2	NA	YES	Loads "Custom 2" image preset
DAY	NA	YES	Loads "ISF Day" image preset
NIGHT	NA	YES	Loads "ISF Night" image preset
PRESET?	NA	NA	Returns currently-selected preset (ISF Day, ISF Night, Custom 1 or Custom 2)

Table 6-1. Serial Commands (continued)

Command	Parameter (min/max)	Value Stored?	Description
Input Position Commands (not available on HDMI 1 or HDMI 2 inputs)			
IHEIGHT	-100/100	YES	Sets the value for input height
IHEIGHT?	NA	NA	Returns input height value
IHPOS	-100/100	YES	Sets a value for horizontal input position
IHPOS?	NA	NA	Returns input horizontal position value
IVPOS	-100/100	YES	Sets a value for vertical input position
IVPOS?	NA	NA	Returns input vertical position value
IWIDTH	-100/100	YES	Sets the value for input width
IWIDTH?	NA	NA	Returns input horizontal width value
OVERSCAN	0/10	YES	Sets the overscan percentage
OVERSCAN?	NA	NA	Returns overscan percentage
Output Shift Commands (not available on HDMI 1 or HDMI 2 inputs)			
OHEIGHT	-100/100	YES	Sets the value for output height
OHEIGHT?	NA	NA	Returns output height value
OHPOS	-100/100	YES	Sets the value for output horizontal position
OHPOS?	NA	NA	Returns output horizontal position value
OVPOS	-100/100	YES	Sets the value for output vertical position
OVPOS?	NA	NA	Returns output vertical position value
OWIDTH	-100/100	YES	Sets the value for output width
OWIDTH?	NA	NA	Returns output horizontal width value

Table 6-1. Serial Commands (continued)

Command	Parameter (min/max)	Value Stored?	Description
Miscellaneous Commands			
BKGND	-100/100	YES	Sets the background color for 4:3 aspect ratio (-100 = black; 100 = white)
BKGND?	NA	NA	Returns background setting value
DATE?	NA	NA	Returns projector manufacture date
HDINPUTRES	NA	YES	Sets YPbPr input resolution and refresh rate for HD1/HD2, as follows: 0 = 480i 1 = 480p 2 = 576i 3 = 576p 4 = 720p / 60 Hz 5 = 1080i / 60 Hz 6 = 720p / 50 Hz 7 = 1080i / 25 Hz Any other value = Auto
HWVER?	NA	NA	Returns hardware version number
INRES?	NA	NA	Returns input resolution
LENS1?	NA	NA	Returns Lens 1 configuration
RGBNN	NA	NA	Sets output color space to RGB with negative horizontal and vertical sync
RGBPP	NA	NA	Sets output color space to RGB with positive horizontal and vertical sync
RGBS	NA	NA	Sets output color space to RGB with composite sync
STATUS	NA	NA	Returns current operating status (power, input source, input resolution and input aspect ratio)
SWVER?	NA	NA	Returns software version number
TRIGGER	1/3	YES	Assigns trigger to currently-selected aspect ratio

Table 6-1. Serial Commands (continued)

Command	Parameter (min/max)	Value Stored?	Description
The following serial commands are meant to emulate buttons on the remote control or VHD Controller front panel. Each button has its own serial command, so effectively it is as if you were using the IR remote only you'll be doing so via serial commands. These commands provide active OSD responses just like the IR remote.			
DOWN	NA	NA	Down-Arrow (▼) key
ENTER	NA	NA	ENTER key
LEFT	NA	NA	Left-Arrow (◀) key
MENU	NA	NA	MENU
RIGHT	NA	NA	Right-Arrow (▶) key
UP	NA	NA	Up-Arrow (▲) key

Specifications

Table 7-1 lists the Vision 85 specifications.

7.1 Vision 85 Specifications

Table 7-1. Vision 85 Specifications

Projector Type:	Digital Light Processing (DLP), single-chip, 16:9 DMD
Native Resolution:	1920 x 1080 (16:9)
Aspect Ratios:	Refer to Table 7-2
Video Standards:	Refer to Table 7-2
DTV Compatibility:	480p, 720p, 1080i, 1080p
Scan Frequency:	Horizontal: 15 - 81 kHz Vertical: 43 - 100 Hz
Picture Size (16:9 Screen):	Recommended Width: 72 - 96 in. Maximum Width: 200 in.
Throw Distance (Factor x Screen Width):	Vision 85: 1.86 to 2.45 Vision 85/CineWide: 1.92 to 2.45
Horizontal and Vertical Offset:	Horizontal: None Vertical: 50% of screen height up or down
Lamp:	220 Watts
Estimated Lamp Life:	2000 hours
Inputs (from VHD Controller):	(1) HDMI with HDCP, (1) RS-232

Table 7-1. Vision 85 Specifications (continued)

<p>Brightness and Contrast (variable, depending on VAC calibration):</p>	<p>Cinema Standards Measurement System (CSMS) Specifications</p> <ul style="list-style-type: none"> - Brightness: TBD - Contrast Ratio: TBD <p>These measurements are taken from the projector in a controlled, home theater environment. All measurements are made to ANSI/NAPM IT7.228-1997 specifications using the Photo Research PR-650 SpectraColorimeter and Minolta LS-100 Luminance Meter, Video Essentials test DVD and a 1.3 gain, 72-inch wide screen. The projector is calibrated to a color temperature of 6,500K and has a minimum of 150 hours of usage.</p> <p>The foot-Lambert (fL) is the unit of measurement used in commercial movie theaters to express image brightness at the screen surface. The Society of Motion Picture and Television Engineers (SMPTE) specifies 16 fL as the target image brightness for film-based projectors using an open gate (without film in the projector). More importantly, today SMPTE specifies 12 fL as the target image brightness in Digital Cinema theaters. The foot-Lambert measurement is dependent on screen size, screen gain and projector light output.</p> <p>Home Theater Calibration Specifications</p> <ul style="list-style-type: none"> - Light Output: TBD - Contrast Ratio: TBD <p>These specifications are obtained by calibrating the projector as described above for CSMS measurements.</p> <p>Industry-Standard Specifications</p> <ul style="list-style-type: none"> - Light Output: TBD - Contrast Ratio: TBD <p>These are typical projector brightness and contrast specifications found in most companies' sales literature. Vidikron includes these measurements in its literature to allow for direct comparison with other manufacturers' projectors. These measurements are typically taken at 9,000K to 13,000K to get expected performance data when the projector is used in professional, commercial and industrial displays.</p>
<p>Power Requirements:</p>	<p>100 to 240 VAC (auto-sensing), 50/60 Hz, 375 Watts</p>
<p>Operating Environment:</p>	<p>40°F to 95°F (5°C to 35°C), 0% to 90% humidity (non-condensing)</p>
<p>Dimensions:</p>	<p>See Figure 7-1</p>
<p>Weight (without lens):</p>	<p>50 lbs. (22.68 kg)</p>
<p>Regulatory Approvals:</p>	<p>Complies with FCC, CE C-Tick</p>
<p>Limited Warranty:</p>	<p>Projector: Two (2) years parts and labor from the date of delivery to the end user. Lamp: 1000 hours or six (6) months, whichever comes first.</p>

Specifications are subject to change without notice.

Table 7-2 lists the VHD Controller specifications.

Table 7-2. VHD Controller Specifications

Aspect Ratios:	4:3, Letterbox, 16:9, IntelliWide, Cinema, IntelliWide 2.35
Video Standards:	NTSC, PAL
Inputs:	(1) Composite; (2) S-Video; (1) Component; (2) HD-R (Pr), G (Y), B (Pb), H, V; (2) HDMI with HDCP
Outputs:	HDMI with HDCP
Control Options:	<ul style="list-style-type: none"> - Discrete infrared remote - Serial commands via RS-232 - Front-panel controls
RS-232 Communication Parameters:	19200 bps, no parity, 8 data bits, 1 stop bit, no flow control
Trigger Outputs:	(3) +12 VDC, each rated at 750 mA and thermal fuse-protected
Bandwidth:	150 Mega Samples per Second (MSPS)
Power Requirements:	100 to 240 VAC (auto-sensing), 50/60 Hz, 160 Watts
Operating Environment:	40°F to 95°F (5°C to 35°C), 0% to 90% humidity (non-condensing)
Dimensions:	Width = 17.50 inches (444.5 mm) Depth = 11.19 inches (284.1 mm) Height = 3.75 inches (95.3 mm)
Weight:	13.0 lbs. (5.90 kg)
Regulatory Approvals:	Complies with FCC, CE C-Tick
Limited Warranty:	Two (2) years parts and labor from the date of delivery to the end user.
Specifications are subject to change without notice.	

7.2 VHD Controller Specifications

**7.3
Vision 85 Dimensions**

Figure 7-1 shows the Vision 85 dimensions (all dimensions are in inches).

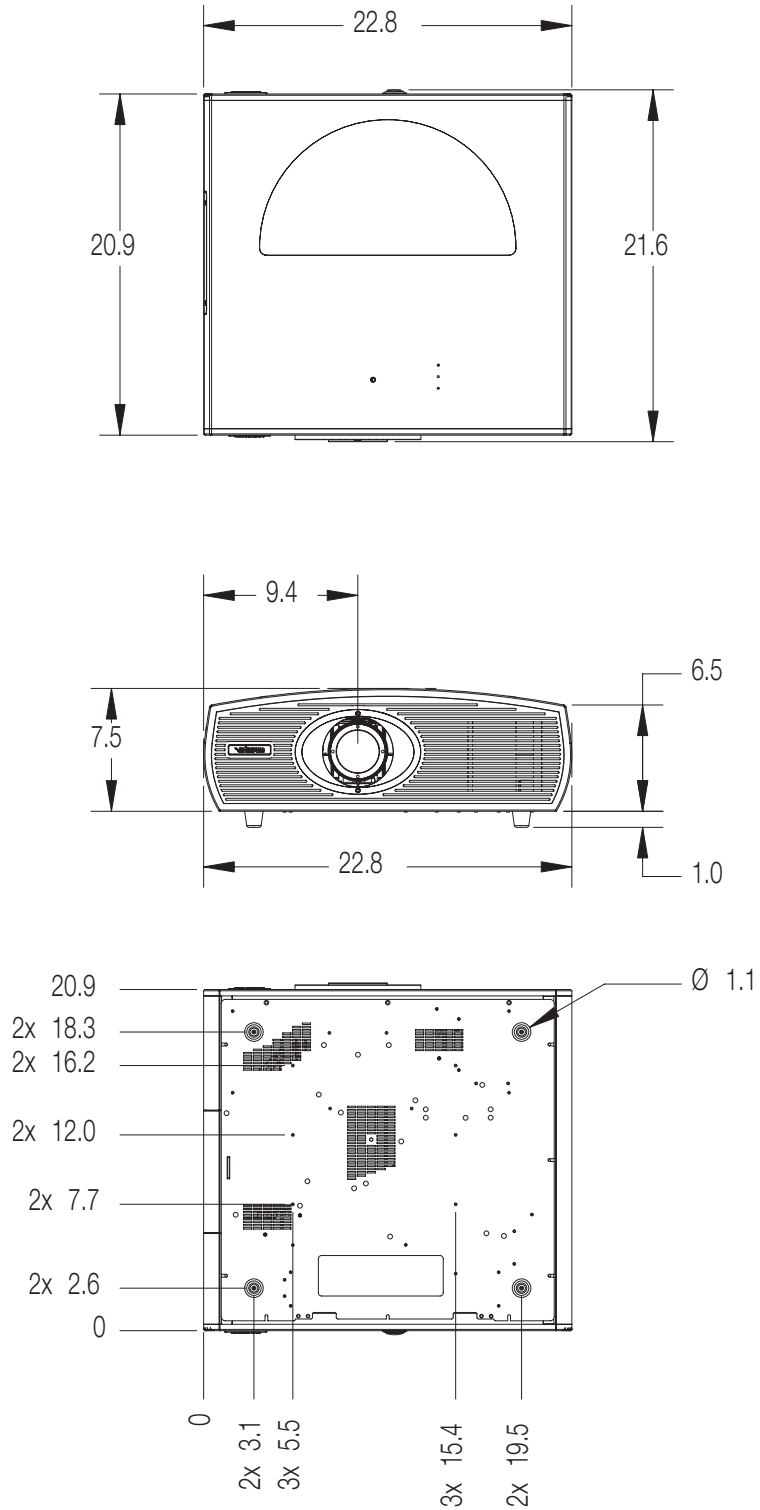


Figure 7-1. Vision 85 Dimensions

RUMA-011220
rev. 01-10-07 v1.0



Vidikron
2900 Faber Street
Union City, CA 94587
510-324-5900
Fax 510-324-5905
1-888-4-VIDIKRON
www.vidikron.com



SERIAL NUMBER

